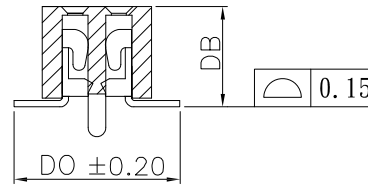
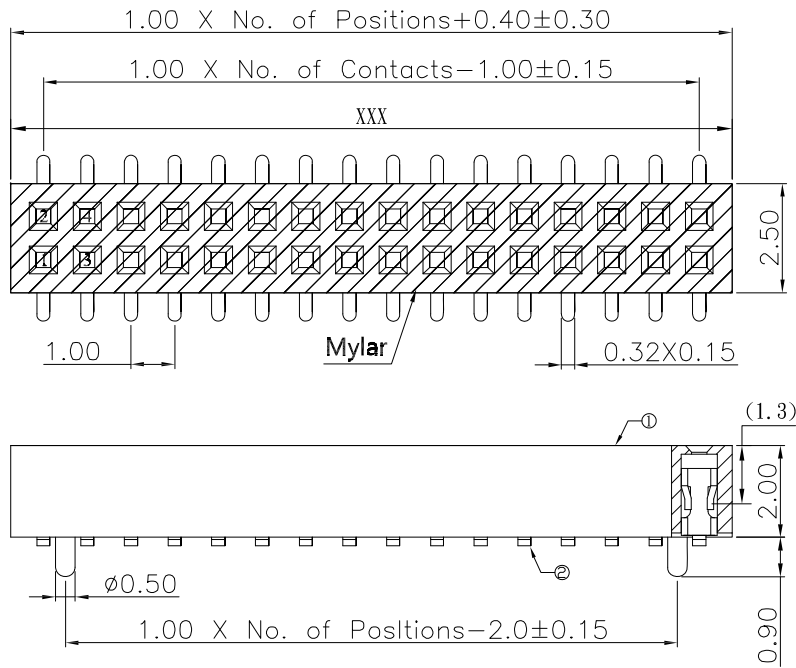
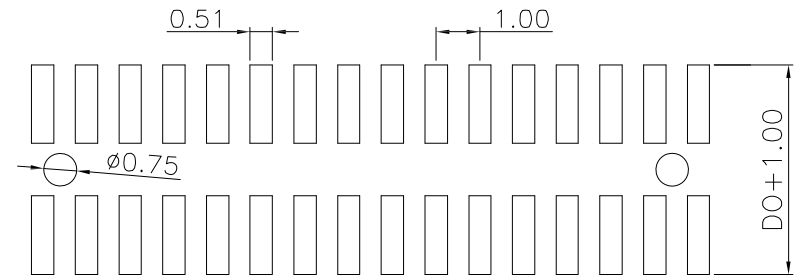
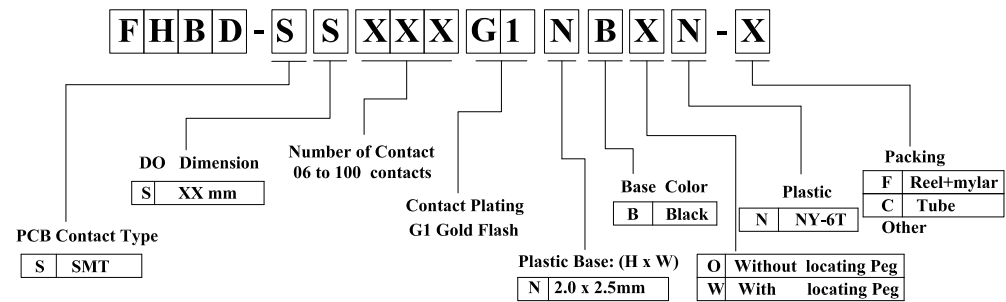


REV.	DESCRIPTION	DATE
A	New Drawing	2017/07/21



LTR	Part Name	Material	Description	QTY
1	Housing	NY-6T UL94V-0	260°C for 10 Seconds . Initial : 1000M Ohms Min. After Test : 500M Ohms Min.	1
2	Contact	Bronze	Current Rating : 0.75A Initial : 20m Ohms Max. After Test : 40m Ohms Max.	XX
3	Mylar	Polyimide Tape	250°C-SHORT TERM	1

Temperature Rating : -40°C ~ +125°C .  
Dielectric Withstanding Voltage : 500V AC/Min .



P.C.B LAYOUT

RoHS compliant

竣豪電子股份有限公司  
**Superior Tech Co., Ltd.**

General Tolerance		TITLE	Pitch 1.0 Female Header ,SMT Dual Row	
X. ± 0.5	.X ± 0.3	DRAWN	DATE	NO.
.XX ± 0.2	.XXX ± 0.1	CHECK	05-13-21'	T220
角度	± 5°	APPROVED	DATE	PART NO. FHBD-SSXXXG1NBN-X
				CUSTOMER NO.

REV.	UNIT	SCALE	
A	mm	1:1	