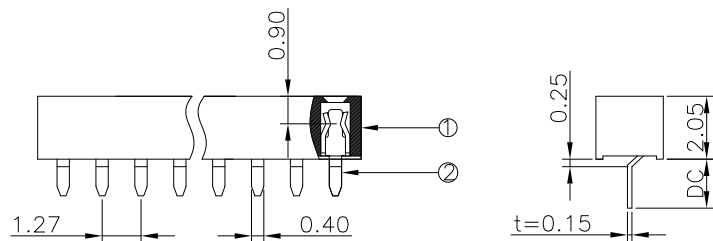
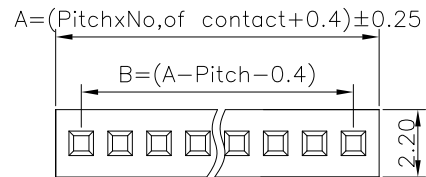
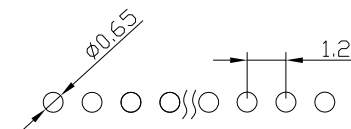


| REV. | DESCRIPTION | DATE |
|------|-------------|------------|
| A | New Drawing | 2016/05/13 |

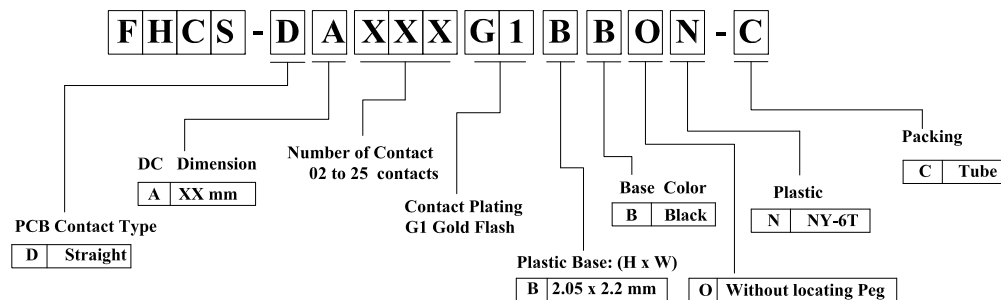


| LTR | Part Name | Material | Description | QTY |
|-----|-----------|------------------|--|-----|
| 1 | Housing | NY-6T UL94V-0 | 260°C for 10 Seconds . Initial : 1000M Ohms Min. After Test : 500M Ohms Min. | 1 |
| 2 | Contact | Bronze C5191 | Current Rating : 1.0A Initial : 20m Ohms Max. After Test : 40m Ohms Max. | XX |

Normal Force : 60 Grams Average .
 Temperature Rating : -40°C ~ +125°C .
 Dielectric Withstanding Voltage : 500V AC/Min .



P.C.B LAYOUT



RoHS compliant

竣豪電子股份有限公司
Superior Tech Co., Ltd.

| | | | | |
|-------------------|----------|-------|---|--------------------|
| General Tolerance | | TITLE | Pitch 1.27x1.27mm Female Header Straight Single Row | |
| X. ± 0.5 | DRAWN | 張智華 | DATE | NO. |
| .X ± 0.3 | | | 05-13-16' | 002 |
| .XX ± 0.2 | CHECK | | DATE | PART NO. |
| .XXX ± 0.1 | | | | FHCS-DAXXXG1BBON-C |
| 角度 ± 5° | APPROVED | | DATE | CUSTOMER NO. |

| | | | |
|------|------|-------|--|
| REV. | UNIT | SCALE | |
| A | mm | 4:1 | |