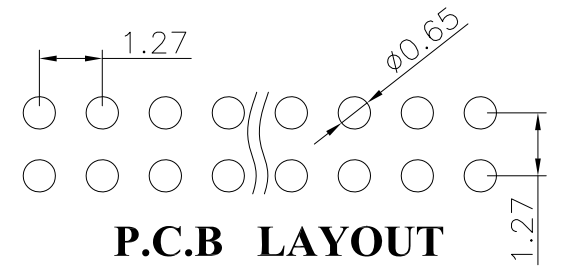


REV.	DESCRIPTION	DATE
A	New Drawing	2015/01/28

SPECIFICATIONS:

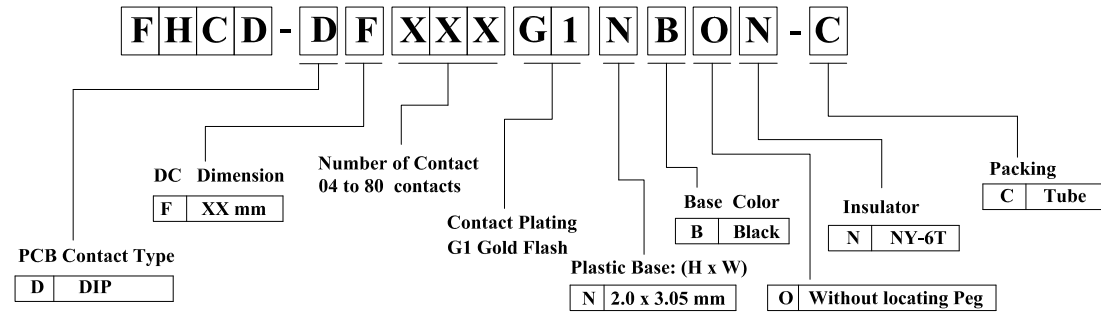
Current Rating: 1Amps  
 Insulator Resistance: 1000Megohms min  
 Dielectric withstanding: AC 500V  
 Operating Temperature: -40°~+85°  
 Max Processing Temp: 230°for 10~60 seconds  
 Contact Material: Brass  
 Insulator Material: PA6T UL94V-0  
 Plating: Gold flash



P.C.B LAYOUT

RoHS compliant

Contacts Per Row	Dimensions		Contacts Per Row	Dimensions	
	A	B		A	B
2x1pin			2x2pin	26.67	25.4
2x2pin	2.54	1.27	2x22pin	27.94	26.67
2x3pin	3.81	2.54	2x23pin	29.21	27.94
2x4pin	5.08	3.81	2x24pin	30.48	29.21
2x5pin	6.35	5.08	2x25pin	31.75	30.48
2x6pin	7.62	6.35	2x26pin	33.02	31.75
2x7pin	8.89	7.62	2x27pin	34.29	33.02
2x8pin	10.16	8.89	2x28pin	35.56	34.29
2x9pin	11.43	10.16	2x29pin	36.83	35.56
2x10pin	12.7	11.43	2x30pin	38.1	36.83
2x11pin	13.97	12.7	2x31pin	39.37	38.1
2x12pin	15.24	13.97	2x32pin	40.64	39.37
2x13pin	16.51	15.24	2x33pin	41.91	40.64
2x14pin	17.78	16.51	2x34pin	43.18	41.91
2x15pin	19.05	17.78	2x35pin	44.45	43.18
2x16pin	20.32	19.05	2x36pin	45.72	44.45
2x17pin	21.59	20.32	2x37pin	46.99	45.72
2x18pin	22.86	21.59	2x38pin	48.26	46.99
2x19pin	24.13	22.86	2x39pin	49.53	48.26
2x20pin	25.4	24.13	2x40pin	50.8	49.53



竣豪電子股份有限公司  
**Superior Tech Co., Ltd.**

General Tolerance		TITLE		Pitch 1.27 x 1.27 Female Header ,Straight Dual Row	
X. ± 0.5		DRAWN		DATE	
.X ± 0.3		Zhanghonglan		01-28-15'	
.XX ± 0.2		CHECK		DATE	
.XXX ± 0.1		APPROVED		DATE	
角度 ± 5°				NO. 002	
				PART NO. FHCD-DFXXXG1NBON-C	
				CUSTOMER NO.	

REV.	UNIT	SCALE	
A	mm	1:1	