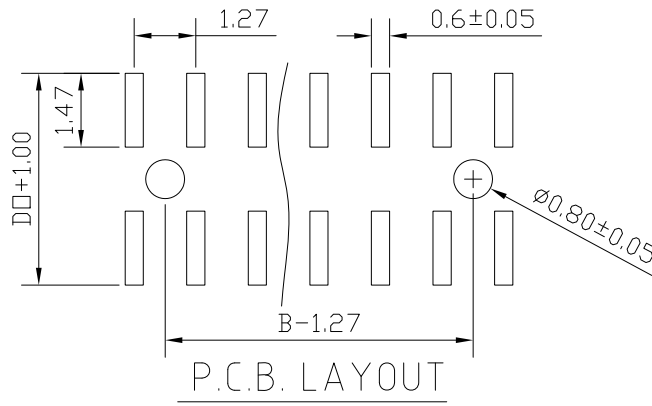
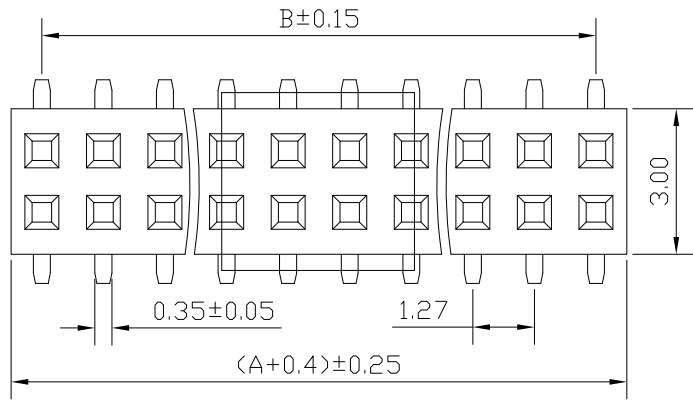
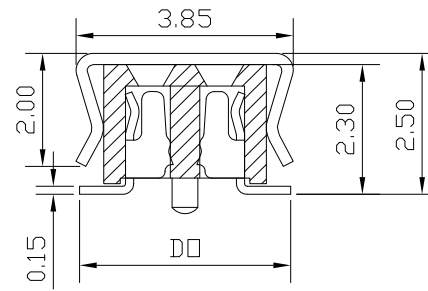
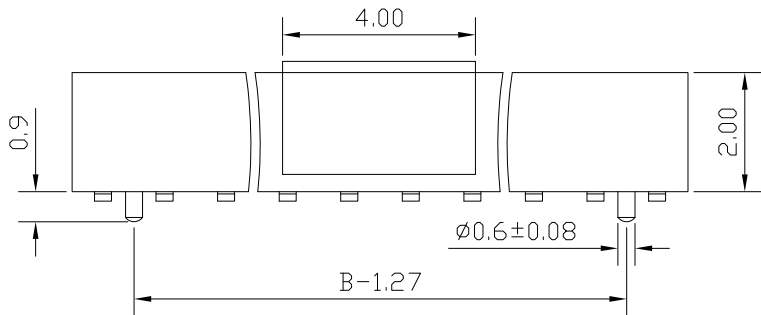


| REV. | DESCRIPTION | DATE       |
|------|-------------|------------|
| A    | New Drawing | 2017/09/04 |



SPECIFICATIONS:

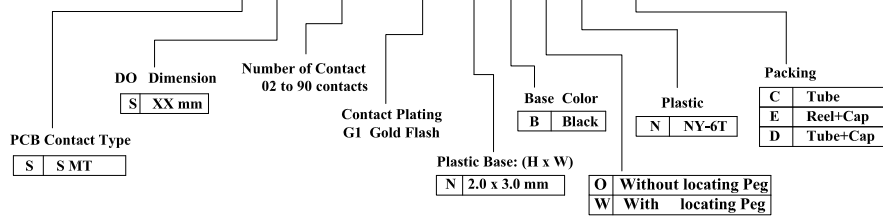
Current Rating: 1Amps  
 Insulator Resistance: 1000Megohms min  
 Dielectric withstanding: AC 500V  
 Operating Temperature: -40°~+85°  
 Max Processing Temp: 260°for 5~10 seconds  
 Contact Material: PhosphorBronze  
 Insulator Material: PA6T UL94V-0  
 Plating: G/F



| Contacts Per Row | Dimensions |       | Contacts Per Row | Dimensions |       |
|------------------|------------|-------|------------------|------------|-------|
|                  | A          | B     |                  | A          | B     |
| 2×1pin           |            |       | 2×21pin          | 26.67      | 25.4  |
| 2×2pin           | 2.54       | 1.27  | 2×22pin          | 27.94      | 26.67 |
| 2×3pin           | 3.81       | 2.54  | 2×23pin          | 29.21      | 27.94 |
| 2×4pin           | 5.08       | 3.81  | 2×24pin          | 30.48      | 29.21 |
| 2×5pin           | 6.35       | 5.08  | 2×25pin          | 31.75      | 30.48 |
| 2×6pin           | 7.62       | 6.35  | 2×26pin          | 33.02      | 31.75 |
| 2×7pin           | 8.89       | 7.62  | 2×27pin          | 34.29      | 33.02 |
| 2×8pin           | 10.16      | 8.89  | 2×28pin          | 35.56      | 34.29 |
| 2×9pin           | 11.43      | 10.16 | 2×29pin          | 36.83      | 35.56 |
| 2×10pin          | 12.7       | 11.43 | 2×30pin          | 38.1       | 36.83 |
| 2×11pin          | 13.97      | 12.7  | 2×31pin          | 39.37      | 38.1  |
| 2×12pin          | 15.24      | 13.97 | 2×32pin          | 40.64      | 39.37 |
| 2×13pin          | 16.51      | 15.24 | 2×33pin          | 41.91      | 40.64 |
| 2×14pin          | 17.78      | 16.51 | 2×34pin          | 43.18      | 41.91 |
| 2×15pin          | 19.05      | 17.78 | 2×35pin          | 44.45      | 43.18 |
| 2×16pin          | 20.32      | 19.05 | 2×36pin          | 45.72      | 44.45 |
| 2×17pin          | 21.59      | 20.32 | 2×37pin          | 46.99      | 45.72 |
| 2×18pin          | 22.86      | 21.59 | 2×38pin          | 48.26      | 46.99 |
| 2×19pin          | 24.13      | 22.86 | 2×39pin          | 49.53      | 48.26 |
| 2×20pin          | 25.4       | 24.13 | 2×40pin          | 50.8       | 49.53 |
|                  |            |       | 2×45pin          | 57.15      | 55.88 |

RoHS compliant

**FHCD-SSXXXG1NBXN-X**



|  |                 |   |                    |           |
|--|-----------------|---|--------------------|-----------|
| <b>General Tolerance</b><br>X. ± 0.5<br>.X ± 0.3<br>.XX ± 0.2<br>.XXX ± 0.1<br>角度 ± 5° | <b>TITLE</b>    | <b>Pitch 1.27x1.27mm Female Header SMT,Dual Row</b> |                    |           |
|  | <b>DRAWN</b>    | Jacky   | <b>DATE</b>        | 09-04-17' |
|  | <b>CHECK</b>    | Tom   | <b>DATE</b>        | 09-04-17' |
|  | <b>APPROVED</b> | Tom   | <b>DATE</b>        | 09-04-17' |
|  |                 |   | <b>NO.</b>         | 002       |
|  |                 | <b>PART NO.</b>                                     | FHCD-SSXXXG1NBXN-X |           |
|  |                 | <b>CUSTOMER NO.</b>                                 |                    |           |

竣豪電子股份有限公司  
**Superior Tech Co., Ltd.**

|      |      |       |  |
|------|------|-------|--|
| REV. | UNIT | SCALE |  |
| A    | mm   | 4:1   |  |