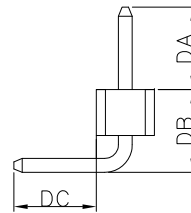
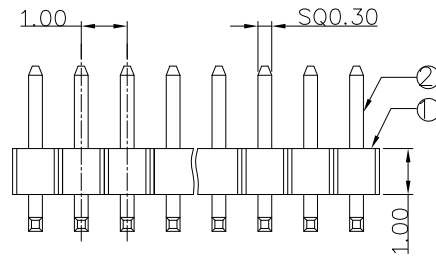
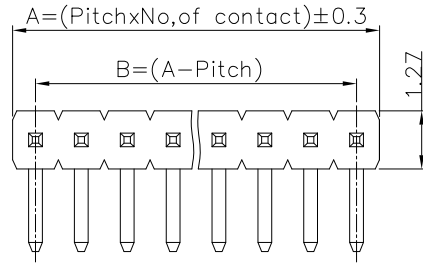


REV.	DESCRIPTION	DATE
A	New Drawing	2020/09/10

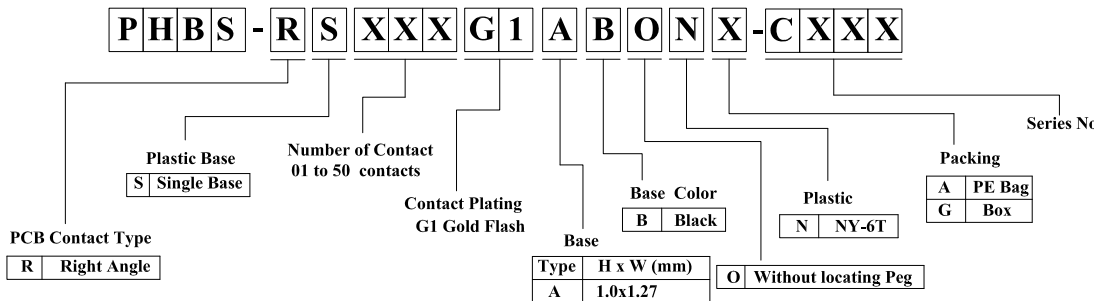


LTR	Part Name	Material	Description	QTY
1	Housing	Nylon UL94V-0	260°C for 10 Seconds . Initial : 1000M Ohms Min. After Test : 500M Ohms Min.	1
2	Contact	Brass	Current Rating : 0.75A Initial : 20m Ohms Max. After Test : 40m Ohms Max.	XX

Temperature Rating : -40°C ~ +125°C .  
Dielectric Withstanding Voltage : 500V AC/Min



### P.C.B LAYOUT



RoHS compliant

竣豪電子股份有限公司  
**Superior Tech Co., Ltd.**

General Tolerance		TITLE	1.0 Pin Header Single Row, Right Angle	
X. ± 0.5		DRAWN	DATE	NO.
.X ± 0.3		Annie	09-10-20'	002
.XX ± 0.2		CHECK	DATE	PART NO.
.XXX ± 0.1		Annie	09-10-20'	PHBS-RSXXXG1ABONX-CXXX
角度 ± 5°		APPROVED	DATE	CUSTOMER NO.
		Tom	09-10-20'	

REV.	UNIT	SCALE	
A	mm	1:1	