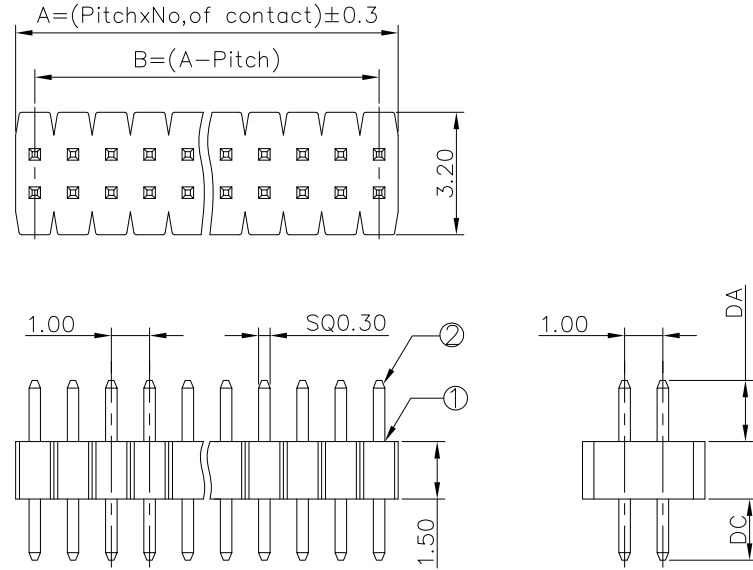
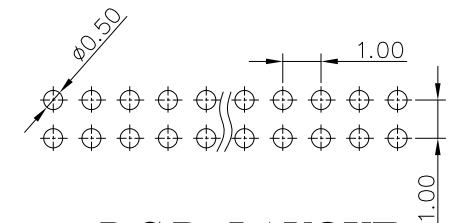


REV.	DESCRIPTION	DATE
A	New Drawing	2020/08/10

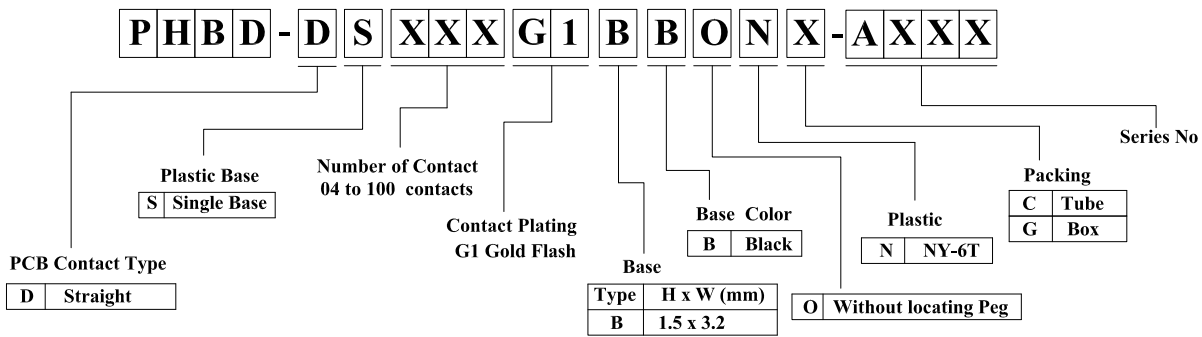


LTR	Part Name	Material	Description	QTY
1	Housing	Nylon UL94V-0	260°C for 10 Seconds . Initial : 1000M Ohms Min. After Test : 500M Ohms Min.	1
2	Contact	Brass	Current Rating : 0.75A Initial : 20m Ohms Max. After Test : 40m Ohms Max.	XX

Temperature Rating : -40°C ~ +125°C .
Dielectric Withstanding Voltage : 500V AC/Min



P.C.B LAYOUT



RoHS compliant

竣豪電子股份有限公司
Superior Tech Co., Ltd.

General Tolerance		TITLE		1.0x1.0mm Pin Header 180° Dual Row	
X. ± 0.5		DRAWN		DATE	NO.
.X ± 0.3		Annie		08-10-20'	002
.XX ± 0.2		CHECK		DATE	PART NO.
.XXX ± 0.1		Annie		08-10-20'	PHBD-DSXXXG1BBONX-AXXX
角度 ± 5°		APPROVED		DATE	CUSTOMER NO.
		Tom		08-10-20'	

REV.	UNIT	SCALE	
A	mm	1:1	