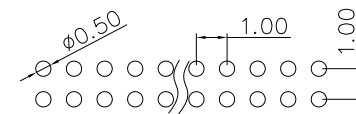
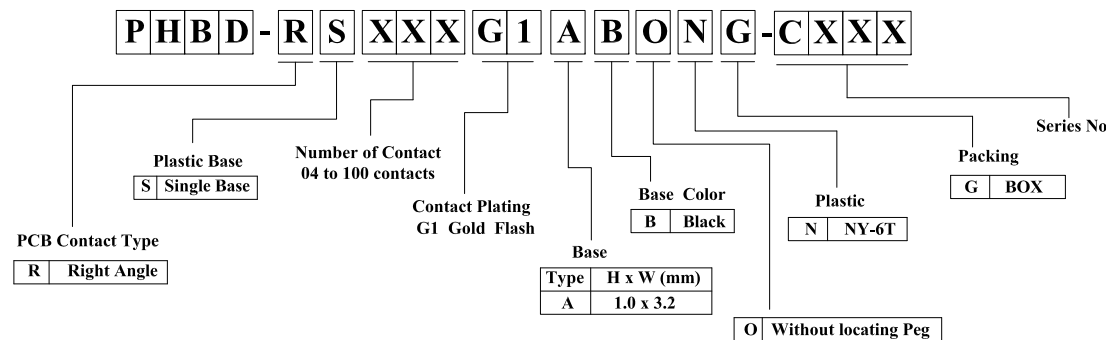
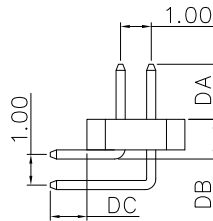
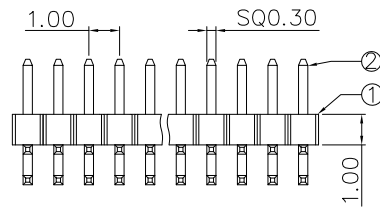
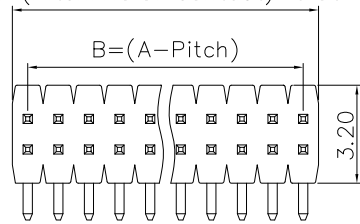


REV.	DESCRIPTION	DATE
A	New Drawing	2021/04/07

$$A = (\text{Pitch} \times \text{No. of contact}) \pm 0.30$$



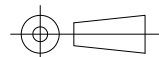
### P.C.B LAYOUT

RoHS compliant

竣豪電子股份有限公司  
**Superior Tech Co., Ltd.**

General Tolerance		TITLE	1.0x1.0mm Pin Header ,Right Angle Dual Row	
X. ± 0.5		DRAWN	DATE	NO.
.X ± 0.3		Tom	04-07-21'	002
.XX ± 0.2		CHECK	DATE	PART NO.
.XXX ± 0.1		APPROVED	DATE	PHBD-RSXXXG1ABONG-CXXX
角度	± 5°			CUSTOMER NO.

REV.	UNIT	SCALE
A	mm	1:1



(Q2-R03-01A) ST-R05-07