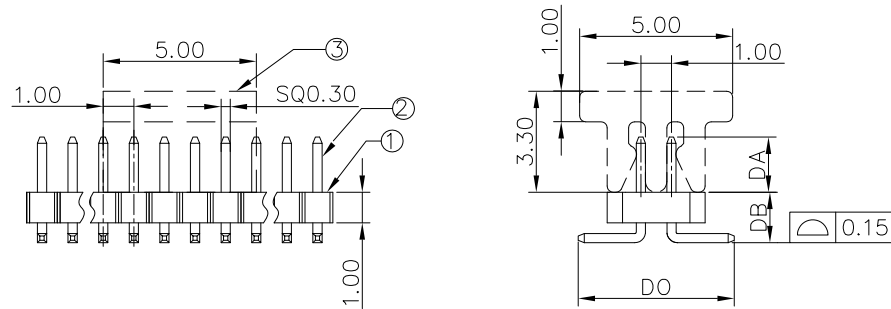
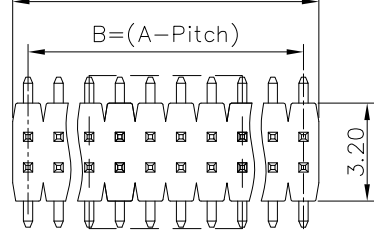


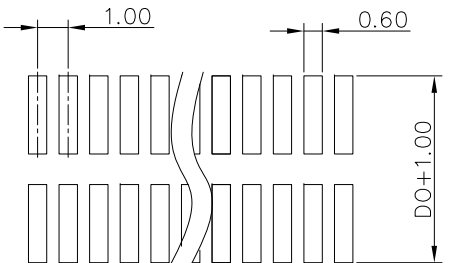
REV.	DESCRIPTION	DATE
A	New Drawing	2022/03/17

$A = (\text{Pitch} \times \text{No. of contact}) \pm 0.30$



LTR	Part Name	Material	Description	QTY
1	Housing	Nylon UL94V-0	260°C for 10 Seconds . Initial : 1000M Ohms Min. After Test : 500M Ohms Min.	1
2	Contact	Brass	Current Rating : 0.75A Initial : 20m Ohms Max. After Test : 40m Ohms Max.	XX
3	Cap	Nylon UL94V-0	260°C for 10 Seconds .	1

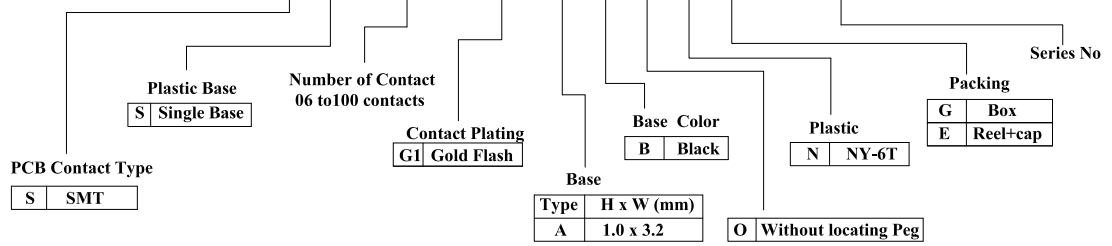
Temperature Rating : -40°C ~ +125°C .
Dielectric Withstanding Voltage : 500V AC/Min



P.C.B LAYOUT

RoHS compliant

PHBD - S S XXX G1 A B O N X - B XXX



竣豪電子股份有限公司
Superior Tech Co., Ltd.

General Tolerance		TITLE		1.0x1.0mm Pin Header Dual Row, SMT	
X. ± 0.5		DRAWN		DATE	NO.
.X ± 0.3		Jacky		03-17-22'	002
.XX ± 0.2		CHECK		DATE	PART NO.
.XXX ± 0.1		Tom		03-17-22'	PHBD-SSXXXG1ABONX-BXXX
角度	± 5°	APPROVED		DATE	CUSTOMER NO.
		Tom		03-17-22'	

REV.	UNIT	SCALE	
A	mm	1:1	