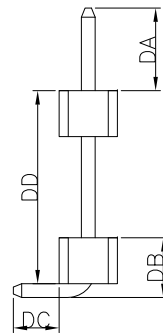
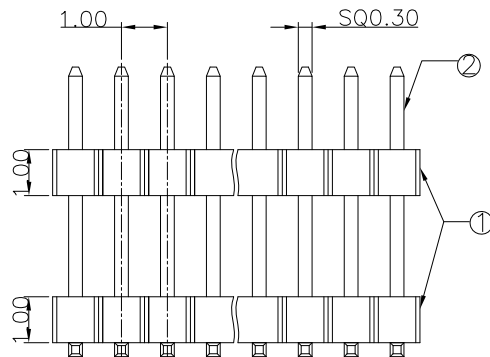
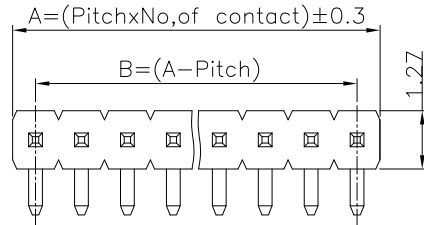
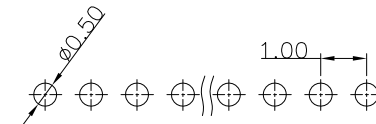


REV.	DESCRIPTION	DATE
A	New Drawing	2014/09/10

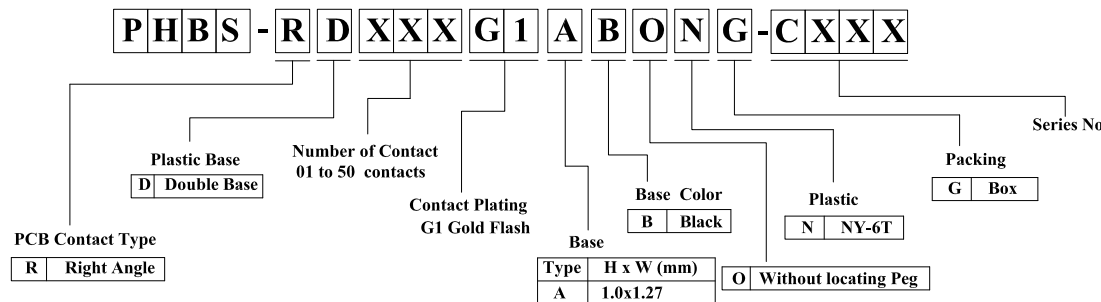


LTR	Part Name	Material	Description	QTY
1	Housing	Nylon UL94V-0	260°C for 10 Seconds . Initial : 1000M Ohms Min. After Test : 500M Ohms Min.	2
2	Contact	Brass	Current Rating : 0.75A Initial : 20m Ohms Max. After Test : 40m Ohms Max.	XX

Temperature Rating : -40°C ~ +125°C .  
Dielectric Withstanding Voltage : 500V AC/Min



### P.C.B LAYOUT



RoHS compliant

竣豪電子股份有限公司 <b>Superior Tech Co., Ltd.</b>			General Tolerance		TITLE		1.0 Pin Header Single Row, Right Angle				
			X. ± 0.5		DRAWN		DATE		NO.		
REV.		UNIT		SCALE		Zhanghonglan		09-09-14'		002	
A		mm		1:1		CHECK		DATE		PART NO.	
						APPROVED		DATE		PHBS-RDXXXG1ABONG-CXXX	
						角度		± 5°		CUSTOMER NO.	