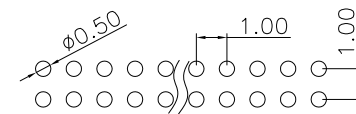
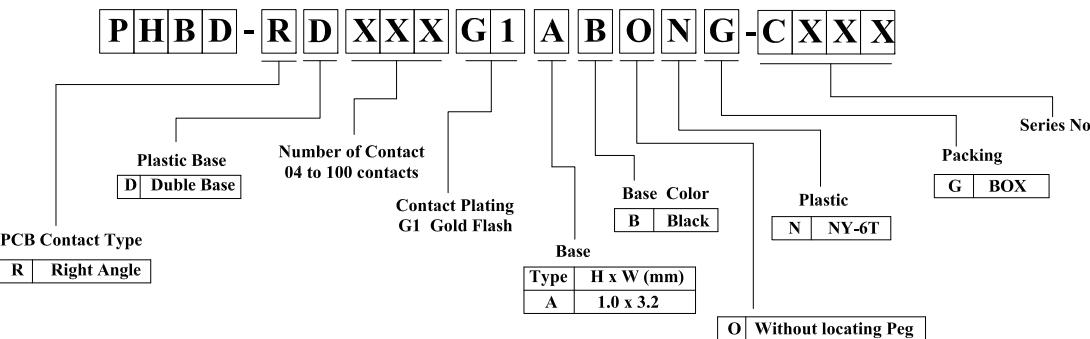
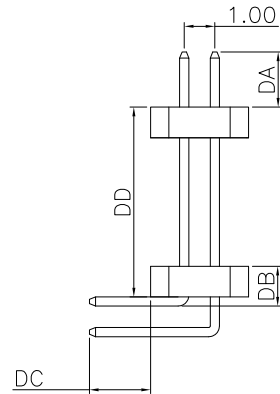
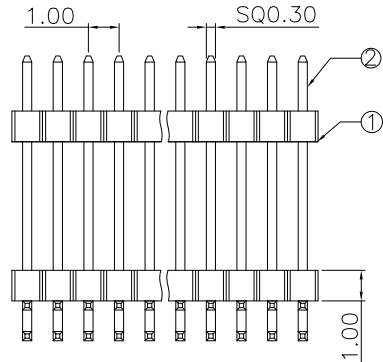
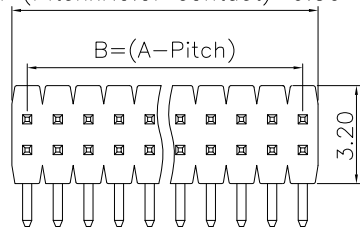


$A = (\text{Pitch} \times \text{No. of contact}) \pm 0.30$



P.C.B LAYOUT

RoHS compliant

REV.	DESCRIPTION	DATE
A	New Drawing	2023/10/17

LTR	Part Name	Material	Description	QTY
1	Housing	Nylon UL94V-0	260°C for 10 Seconds . Initial : 1000M Ohms Min. After Test : 500M Ohms Min.	2
2	Contact	Brass	Current Rating : 0.75A Initial : 20m Ohms Max. After Test : 40m Ohms Max.	XX

Temperature Rating : -40°C ~ +125°C .
Dielectric Withstanding Voltage : 500V AC/Min

竣豪電子股份有限公司
Superior Tech Co., Ltd.

General Tolerance	TITLE	1.0x1.0mm Pin Header ,Right Angle Dual Row	
X. ± 0.5	DRAWN	DATE	NO.
.X ± 0.3	Jacky	10-17-23'	002
.XX ± 0.2	CHECK	DATE	PART NO.
.XXX ± 0.1	Tom	10-17-23'	PHBD-RDXXXG1ABONG-CXXX
角度 ± 5°	APPROVED	DATE	CUSTOMER NO.
	Tom	10-17-23'	

REV.	UNIT	SCALE
A	mm	1:1

