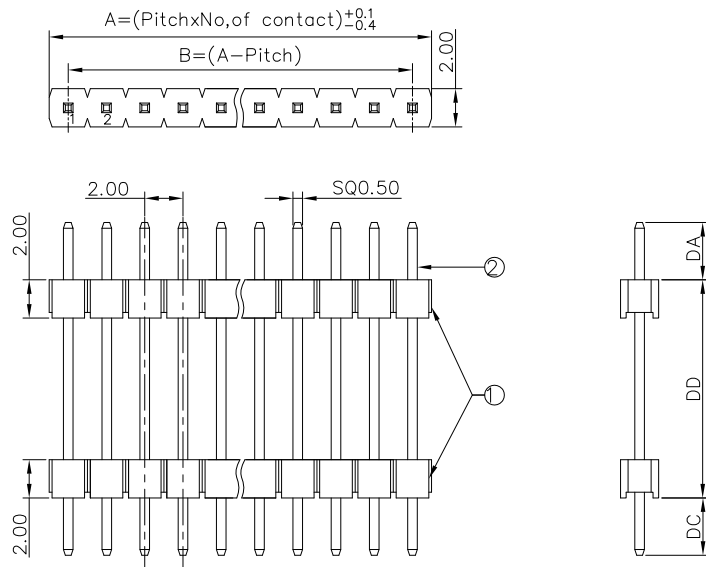
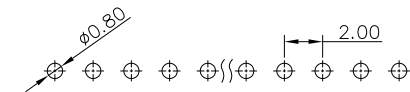


REV.	DESCRIPTION	DATE
A	New Drawing	2022/08/16

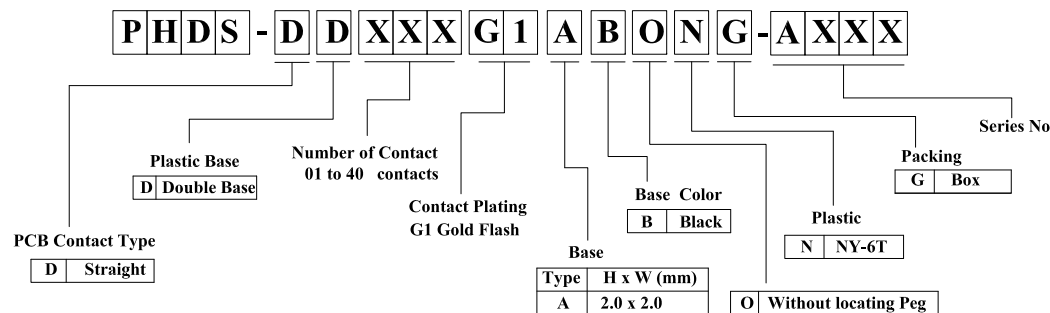


LTR	Part Name	Material	Description	QTY
1	Housing	Nylon UL94V-0	260°C for 10 Seconds . Initial : 1000M Ohms Min. After Test : 500M Ohms Min.	2
2	Contact	Brass	Current Rating : 2.0A Initial : 20m Ohms Max. After Test : 40m Ohms Max.	XX

Temperature Rating : -40°C ~ +125°C .
Dielectric Withstanding Voltage : 500V AC/Min



P.C.B LAYOUT

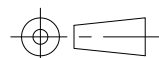


RoHS compliant

竣豪電子股份有限公司
Superior Tech Co., Ltd.

General Tolerance		TITLE	2.0mm Pin Header Single Row, Double Plastic Base	
X. ± 0.5		DRAWN	DATE	NO.
.X ± 0.3		Jacky	08-16-21'	002
.XX ± 0.2		CHECK	DATE	PART NO.
.XXX ± 0.1		Tom	08-16-21'	PHDS-DDXXXG1ABONG-AXXX
角度	± 5°	APPROVED	DATE	CUSTOMER NO.
		Tom	08-16-21'	

REV.	UNIT	SCALE
A	mm	1:1



(Q2-R03-01A) ST-R05-07