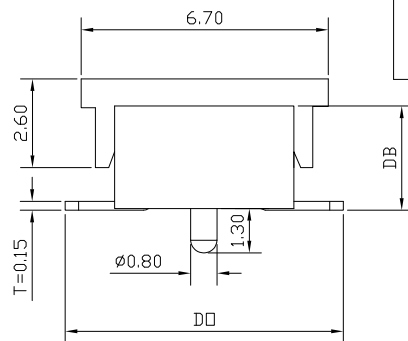
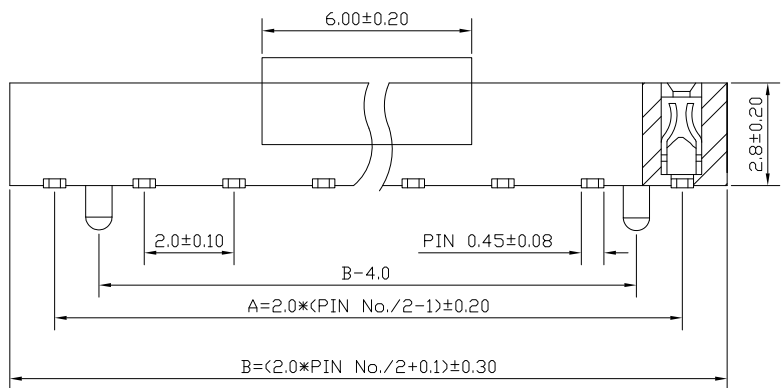
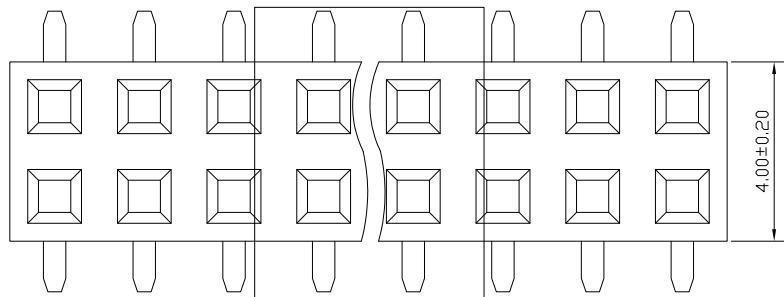
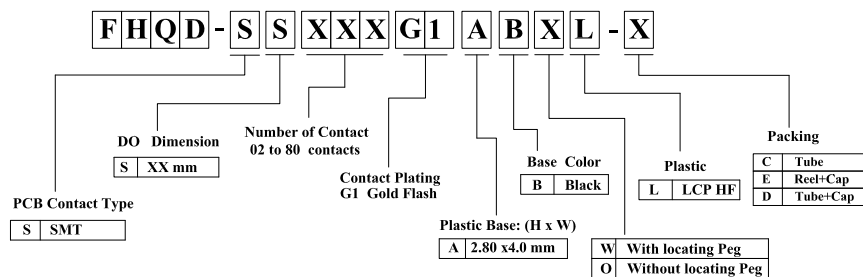
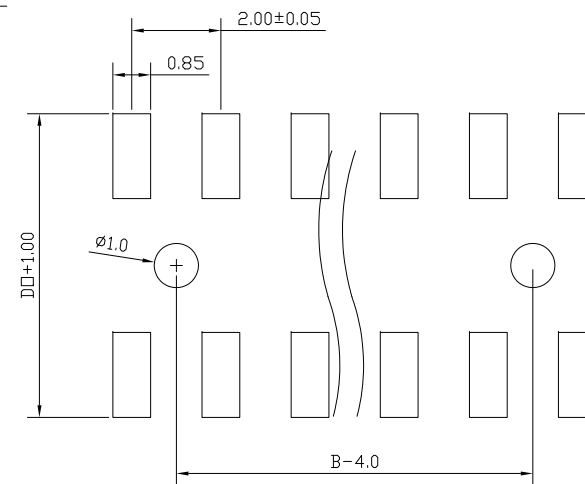


REV.	DESCRIPTION	DATE
A	New Drawing	2022/12/06



LTR	Part Name	Material	Description	QTY
1	Housing	LCP 無齒 UL94V-0	260°C for 10 Seconds . Initial : 1000M Ohms Min. After Test : 500M Ohms Min.	1
2	Contact	Bronze C5191	Current Rating : 1.0A Initial : 20m Ohms Max. After Test : 40m Ohms Max.	XX
3	CAP	LCP 無齒 UL94V-0	260°C for 10 Seconds .	1

Normal Force : 60 Grams Average .
Temperature Rating : -40°C ~ +125°C .
Dielectric Withstanding Voltage : 500V AC/Min .



RoHS compliant

竣豪電子股份有限公司
Superior Tech Co., Ltd.

General Tolerance

TITLE

Pitch 2.0mm Female Header SMT Type

X. ± 0.5

DRAWN

DATE

NO.

.X ± 0.3

Tom

12-06-22'

002

.XX ± 0.2

CHECK

DATE

PART NO.

FHQD-SSXXXXG1ABXL-X

.XXX ± 0.1

APPROVED

DATE

CUSTOMER NO.

REV.

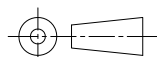
A

UNIT

mm

SCALE

5:1



角度

± 5°

(Q2-R03-01A) ST-R05-07