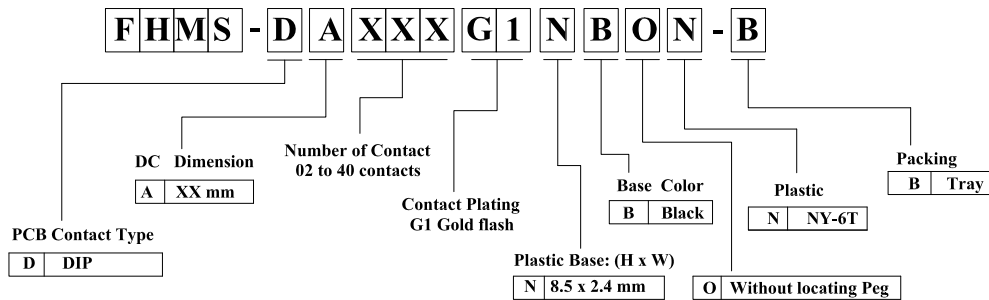


REV.	DESCRIPTION	DATE
A	New Drawing	2023/07/20

LTR	Part Name	Material	Description	QTY
1	Housing	NY-6T UL94V-0	260°C for 10 Seconds . Initial : 1000M Ohms Min. After Test : 500M Ohms Min.	1
2	Contact	Phosphor Bronze	Current Rating : 3.0A Initial : 20m Ohms Max. After Test : 40m Ohms Max.	XX

Temperature Rating : -40°C ~ +105°C .
Dielectric Withstanding Voltage : 500V AC/Min .



P.C.B LAYOUT

竣豪電子股份有限公司
Superior Tech Co., Ltd.

General Tolerance		TITLE		Pitch 2.54mm Female Header ,Straight Single Row	
X. ± 0.5		DRAWN	DATE	NO.	
.X ± 0.3		Jacky	07-20-23'	002	
.XX ± 0.2		CHECK	DATE	PART NO.	
.XXX ± 0.1		Tom	07-20-23'	FHMS-DAXXXG1NBON-B	
角度	± 5°	APPROVED	DATE	CUSTOMER NO.	
		Tom	07-20-23'		

REV.	UNIT	SCALE
A	mm	3:1

