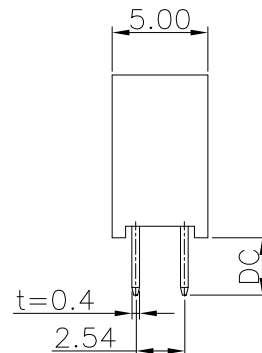
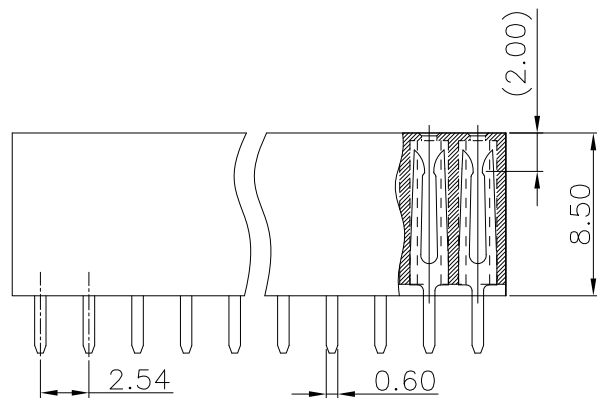
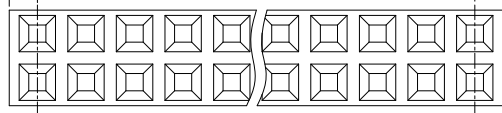


REV.	DESCRIPTION	DATE
A	New Drawing	2016/05/19

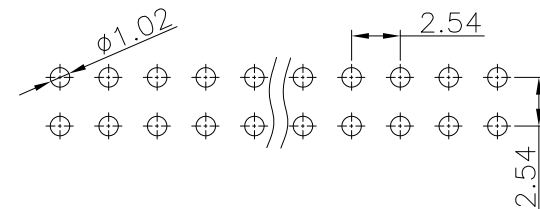
$$A = (\text{Pitch} \times \text{No. of contact} + 0.4) \pm 0.25$$

$$B = (A - \text{Pitch} - 0.4)$$



LTR	Part Name	Material	Description	QTY
1	Housing	Nylon UL94V-0	260°C for 10 Seconds . Initial : 1000M Ohms Min. After Test : 500M Ohms Min.	1
2	Contact	Brass	Current Rating : 3.0A Initial : 20m Ohms Max. After Test : 40m Ohms Max.	XX

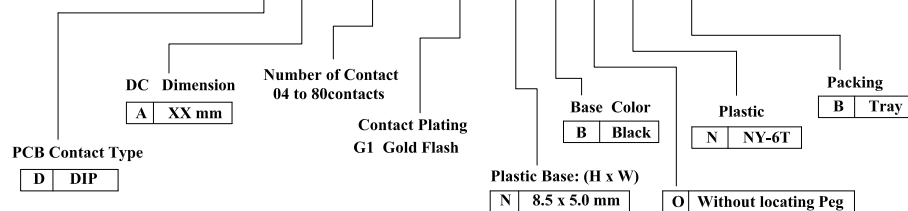
Normal Force : 125 Grams Average .
Temperature Rating : -40°C ~ +125°C .
Dielectric Withstanding Voltage : 1000V AC/Min .



P.C.B LAYOUT

RoHS compliant

FHMD-DAXXXG1NBON-B



竣豪電子股份有限公司
Superior Tech Co., Ltd.

General Tolerance	TITLE	2.54x2.54mm Female Header Dual Row DIP Type	
X. ± 0.5	DRAWN	DATE	NO.
.X ± 0.3	張智華	05-19-16'	002
.XX ± 0.2	CHECK	DATE	PART NO.
.XXX ± 0.1	APPROVED	DATE	FHMD-DAXXXG1NBON-B
角度 ± 5°			CUSTOMER NO.

REV.	UNIT	SCALE	
A	mm	3:1	

(Q2-R03-01A) ST-R05-07