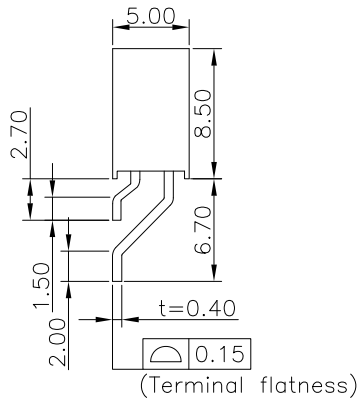
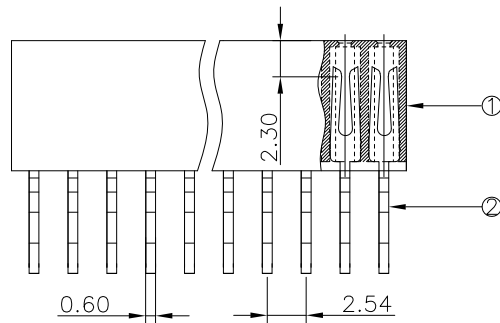
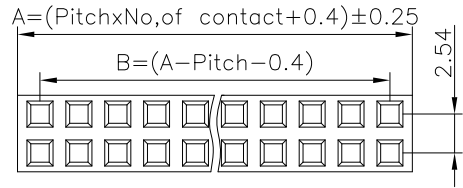
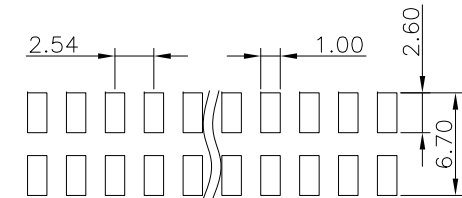


REV.	DESCRIPTION	DATE
A	New Drawing	2016/03/26

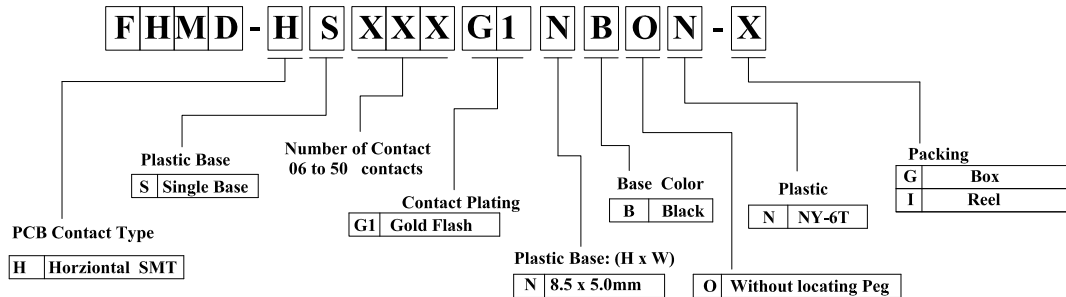


LTR	Part Name	Material	Description	QTY
1	Housing	NY-6T UL94V-0	260°C for 10 Seconds . Initial : 1000M Ohms Min. After Test : 500M Ohms Min.	1
2	Contact	Brass C2680	Current Rating : 3.0A Initial : 20m Ohms Max. After Test : 40m Ohms Max.	XX
3	Mylar	PI	260°C for 10 Seconds .	1

Normal Force : 125 Grams Average .
Temperature Rating : -40°C ~ +125°C .
Dielectric Withstanding Voltage : 1000V AC/Min .



P.C.B LAYOUT

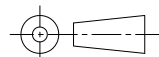


RoHS compliant

竣豪電子股份有限公司
Superior Tech Co., Ltd.

General Tolerance	TITLE	Pitch 2.54mm Female Header ,Dual Row Horizontal SMT Type	
X. ± 0.5	DRAWN	DATE	NO.
.X ± 0.3	ZhaoXiaoLin	03-26-16'	002
.XX ± 0.2	CHECK	DATE	PART NO.
.XXX ± 0.1	APPROVED	DATE	FHMD-HSXXXG1NBON-X
角度 ± 5°			CUSTOMER NO.

REV.	UNIT	SCALE
A	mm	2:1



(Q2-R03-01A) ST-R05-07