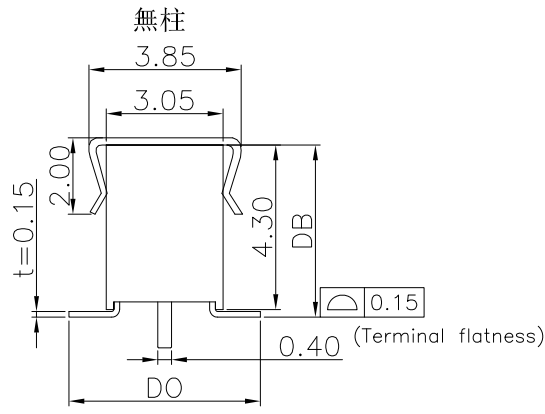
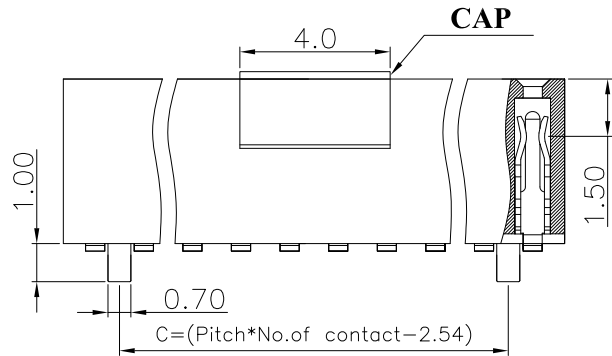
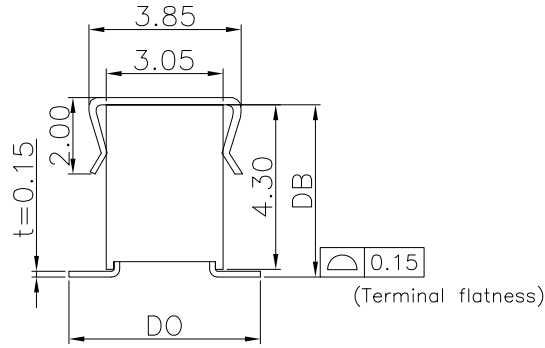
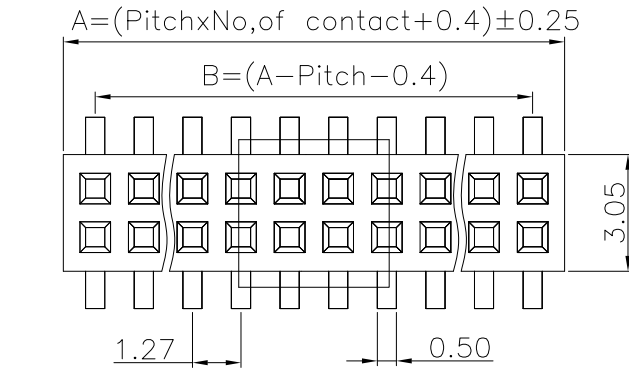


REV.	DESCRIPTION	DATE
A	New Drawing	2022/03/07

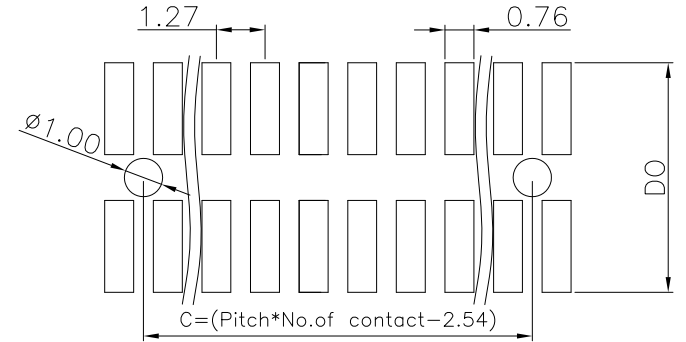


F H E D - S S X X X G 1 N B X N - X

- PCB Contact Type: **S** SMT
- DO Dimension: **S** XX mm
- Number of Contact: **06 to 60** contacts
- Contact Plating: **G1** Gold Flash
- Base Color: **B** Black
- Plastic: **N** NY-6T
- Packing: **E** Reel With Cap, **C** Tube
- Plastic Base: (H x W) **N** 4.3 x 3.05 mm
- With locating Peg: **W**
- Without locating Peg: **O**

LTR	Part Name	Material	Description	QTY
1	Housing	Nylon UL94V-0	260°C for 10 Seconds . Initial : 1000M Ohms Min. After Test : 500M Ohms Min.	1
2	Contact	Bronze C5191	Current Rating : 1.0A Initial : 20m Ohms Max. After Test : 40m Ohms Max.	XX
3	CAP	SUS304	Plating Nickel	1

Normal Force : 60 Grams Average .
Temperature Rating : -40°C ~ +125°C .
Dielectric Withstanding Voltage : 500V AC/Min .



P.C.B LAYOUT

RoHS compliant

竣豪電子股份有限公司
Superior Tech Co., Ltd.

General Tolerance		TITLE		Pitch 1.27x1.27mm Female Header Dual Row ,SMT	
X. ± 0.5		DRAWN	DATE	NO.	
.X ± 0.3		Tom	03-07-22'	002	
.XX ± 0.2		CHECK	DATE	PART NO.	
.XXX ± 0.1		APPROVED	DATE	FHEd-SSXXXG1NBXN-X	
角度 ± 5°				CUSTOMER NO.	

REV.	UNIT	SCALE
A	mm	5:1