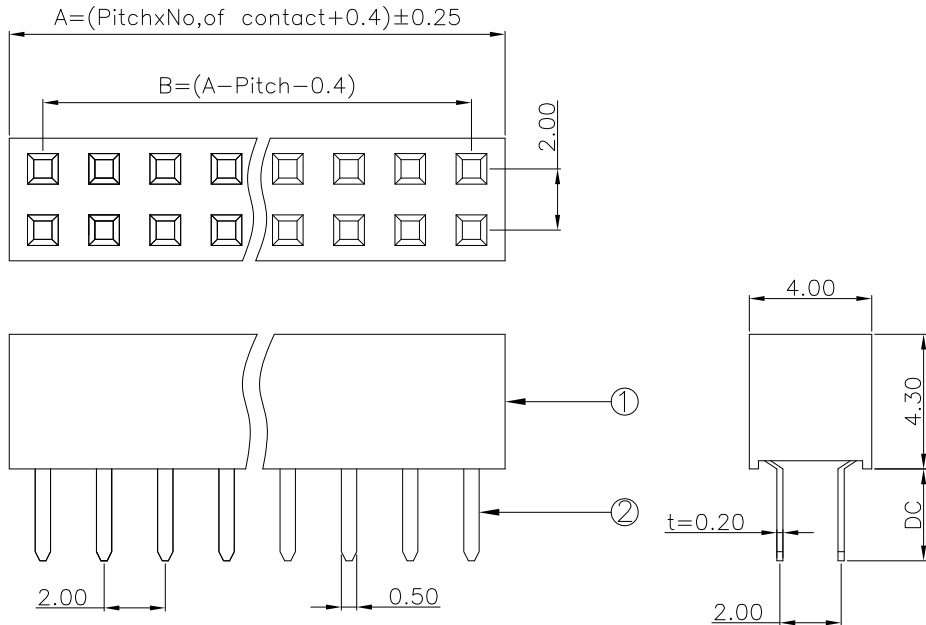
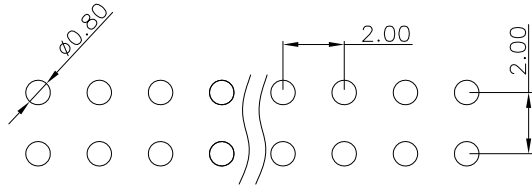


REV.	DESCRIPTION	DATE
A	New Drawing	2009/08/17

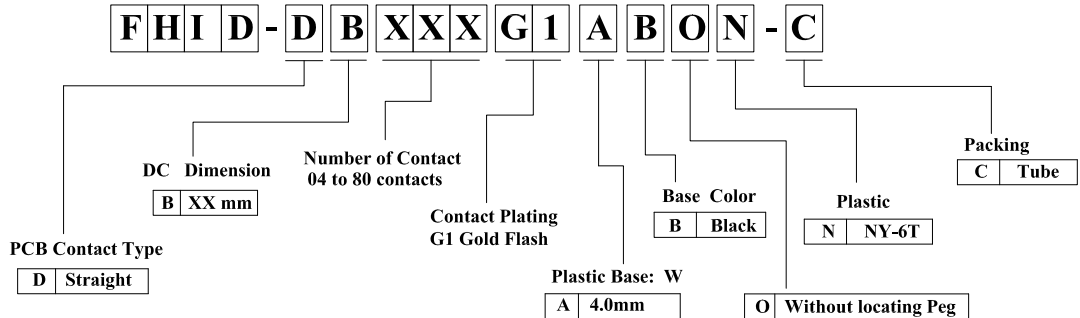


LTR	Part Name	Material	Description	QTY
1	Housing	Nylon UL94V-0	260°C for 10 Seconds . Initial : 1000M Ohms Min. After Test : 500M Ohms Min.	1
2	Contact	Bronze C5191	Current Rating : 2.0A Initial : 20m Ohms Max. After Test : 40m Ohms Max.	XX

Normal Force : 60 Grams Average .
Temperature Rating : -40°C ~ +125°C .
Dielectric Withstanding Voltage : 1000V AC/Min .



P.C.B LAYOUT



RoHS compliant

竣豪電子股份有限公司
Superior Tech Co., Ltd.

General Tolerance	TITLE 2.0x2.0mm Female Header Dual Row DIP Type		
	X. ± 0.5	DRAWN ZhaoXiaoLin	DATE 08-17-09' NO. 002
	.X ± 0.3	CHECK	DATE PART NO. FHI D-DBXXXG1ABON-C
	.XX ± 0.2	APPROVED	DATE CUSTOMER NO.
	.XXX ± 0.1		
角度	± 5°		

REV. A	UNIT mm	SCALE 4:1	
--------	---------	-----------	--