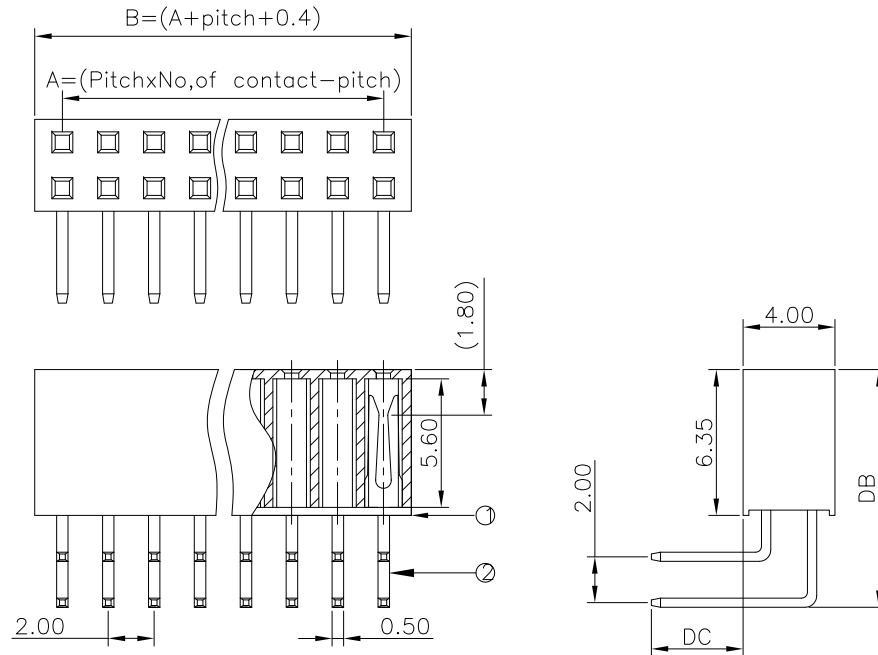
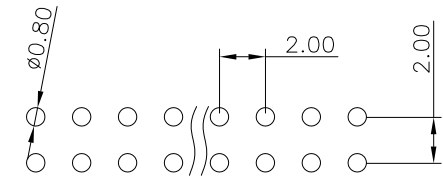


| REV. | DESCRIPTION | DATE       |
|------|-------------|------------|
| A    | New Drawing | 2019/04/12 |

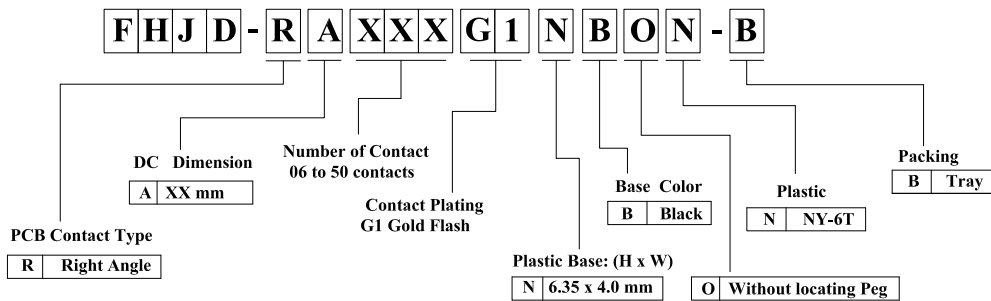


| LTR | Part Name | Material         | Description  | QTY |
|-----|-----------|------------------|--|-----|
| 1   | Housing   | Nylon<br>UL94V-0 | 260°C for 10 Seconds .<br>Initial : 1000M Ohms Min.<br>After Test : 500M Ohms Min. | 1   |
| 2   | Contact   | Bronze<br>C5191  | Current Rating : 2.0A<br>Initial : 20m Ohms Max.<br>After Test : 40m Ohms Max.     | XX  |

Normal Force : 60 Grams Average .  
Temperature Rating : -40°C ~ +125°C .  
Dielectric Withstanding Voltage : 1000V AC/Min .



**P.C.B LAYOUT**



RoHS compliant

竣豪電子股份有限公司  
**Superior Tech Co., Ltd.**

|                   |      |          |  |   |                    |
|-------------------|------|----------|--|---|--------------------|
| General Tolerance |      | TITLE    |  | 2.0x2.0mm Female Header Dual Row Right Angle Type |                    |
| X. ± 0.5          |      | DRAWN    |  | DATE  | NO.                |
| .X ± 0.3          |      | Tom      |  | 04-12-19'   | 002                |
| .XX ± 0.2         |      | CHECK    |  | DATE  | PART NO.           |
| .XXX ± 0.1        |      | APPROVED |  | DATE  | FHJD-RAXXXG1NBON-B |
| 角度                | ± 5° |          |  |   | CUSTOMER NO.       |

|      |      |       |  |
|------|------|-------|--|
| REV. | UNIT | SCALE |  |
| A    | mm   | 3:1   |  |

(Q2-R03-01A) ST-R05-07