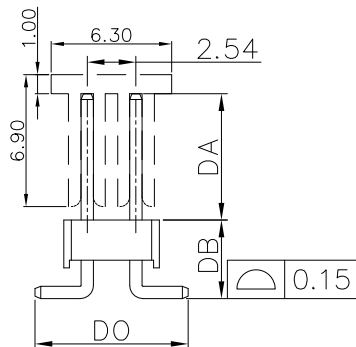
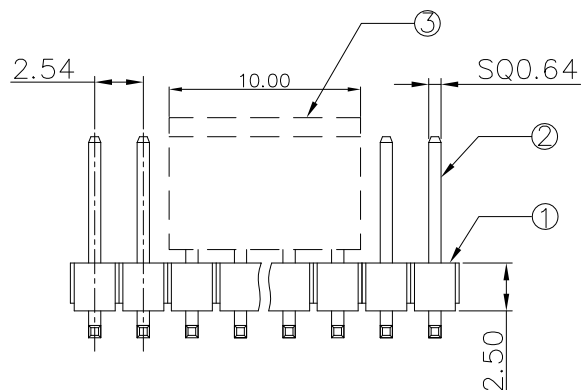
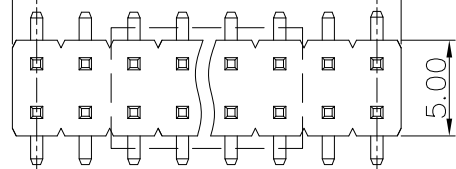


$$A = (\text{Pitch} \times \text{No. of contact}) \begin{matrix} +0.1 \\ -0.5 \end{matrix}$$

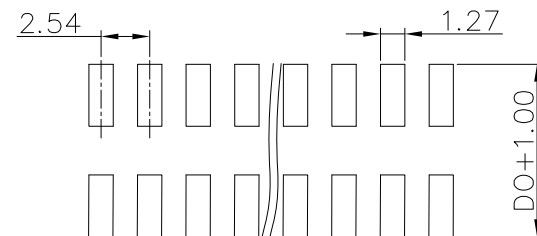
$$B = (A - \text{Pitch})$$



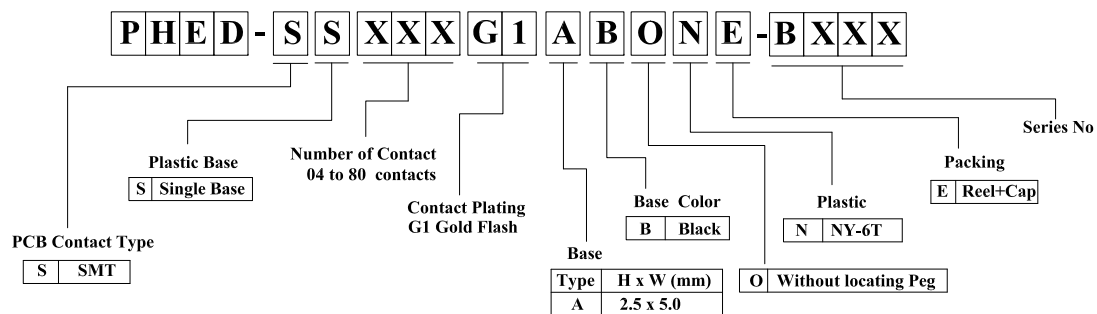
REV.	DESCRIPTION	DATE
A	New Drawing	2019/06/28

LTR	Part Name	Material	Description	QTY
1	Housing	Nylon UL94V-0	260°C for 10 Seconds . Initial : 1000M Ohms Min. After Test : 500M Ohms Min.	1
2	Contact	Brass	Current Rating : 3.0A Initial : 20m Ohms Max. After Test : 40m Ohms Max.	XX
3	Cap	Nylon UL94V-0	260°C for 10 Seconds .	1

Temperature Rating : -55°C ~ +125°C .
Dielectric Withstanding Voltage : 1000V AC/Min



P.C.B LAYOUT



RoHS compliant

竣豪電子股份有限公司
Superior Tech Co., Ltd.

General Tolerance		TITLE	Pitch 2.54x2.54mm Pin Header , SMT Dual Row	
X. ± 0.5	DRAWN	Annie	DATE	NO.
.X ± 0.3			06-28-19'	002
.XX ± 0.2	CHECK	Annie	DATE	PART NO.
.XXX ± 0.1			06-28-19'	PHED-SSXXXG1ABONE-BXXX
角度 ± 5°	APPROVED	Tom	DATE	CUSTOMER NO.
			06-28-19'	

REV.	UNIT	SCALE	
A	mm	1:1	

(Q2-R03-01A) ST-R05-07