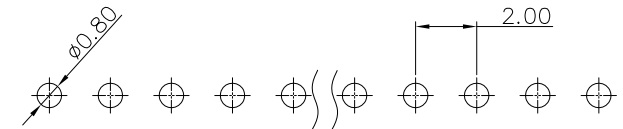
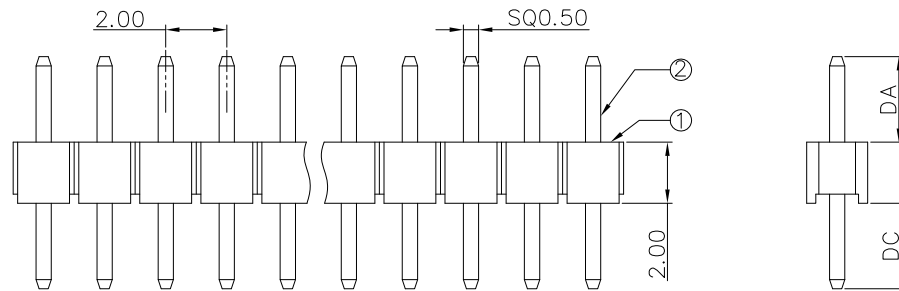
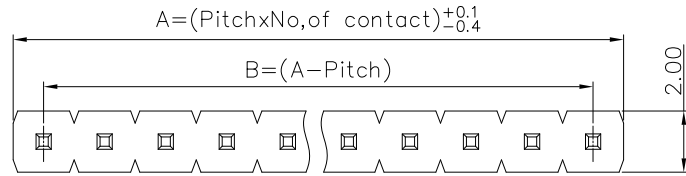
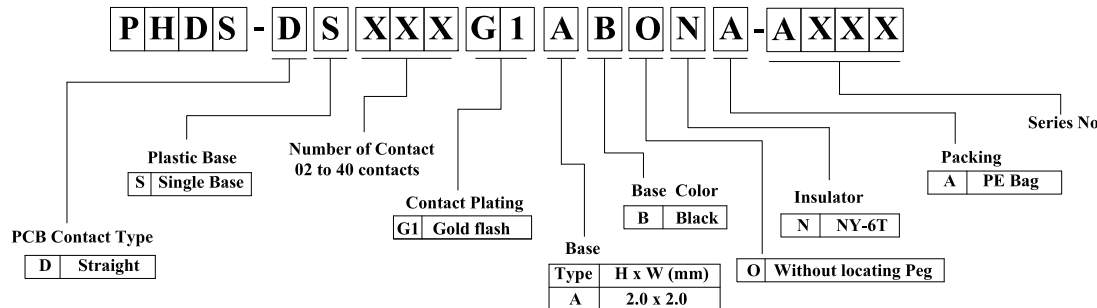


REV.	DESCRIPTION	DATE
A	New Drawing	2014/12/01



### P.C.B LAYOUT



RoHS compliant

竣豪電子股份有限公司  
**Superior Tech Co., Ltd.**

General Tolerance

X.	± 0.5
.X	± 0.3
.XX	± 0.2
.XXX	± 0.1
角度	± 5°

TITLE

2.0mm Pin Header ,Straight Single Row

DRAWN  
Zhanghonglan

DATE  
12-01-14'

NO.  
002

CHECK

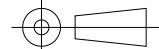
DATE

PART NO.  
PHDS-DSXXXG1ABONA-AXXX  
CUSTOMER NO.

APPROVED

DATE

REV.	UNIT	SCALE
A	mm	1:1



(Q2-R03-01A) ST-R05-07