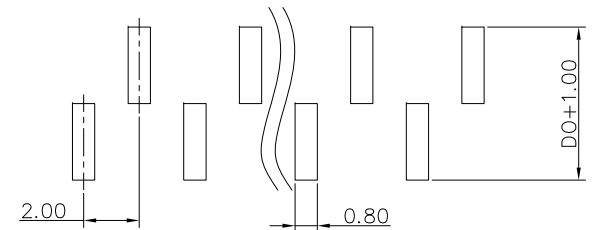


REV.	DESCRIPTION	DATE
A	New Drawing	2022/06/27

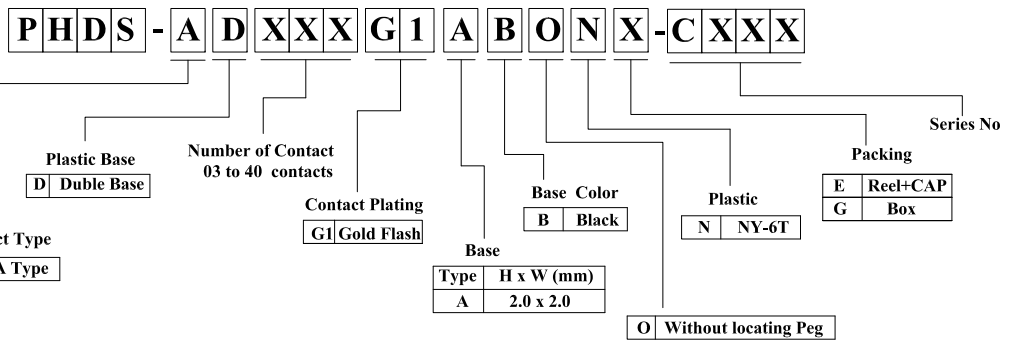
LTR	Part Name	Material	Description	QTY
1	Housing	Nylon UL94V-0	260°C for 10 Seconds . Initial : 1000M Ohms Min. After Test : 500M Ohms Min.	2
2	Contact	Brass	Current Rating : 2.0A Initial : 20m Ohms Max. After Test : 40m Ohms Max.	XX
3	Cap	Nylon	260°C for 10 Seconds .	1

Temperature Rating : -40°C ~ +125°C .  
Dielectric Withstanding Voltage : 500V AC/Min



P.C.B LAYOUT

RoHS compliant



竣豪電子股份有限公司  
**Superior Tech Co., Ltd.**

General Tolerance		TITLE	2.0mm Pin Header Single Row SMT Type	
X. ± 0.5		DRAWN	DATE	NO.
.X ± 0.3		Tom	06-27-22'	002
.XX ± 0.2		CHECK	DATE	PART NO.
.XXX ± 0.1		APPROVED	DATE	PHDS-ADXXXXG1ABONX-CXXX
角度 ± 5°				CUSTOMER NO.

REV.	UNIT	SCALE	
A	mm	1:1	