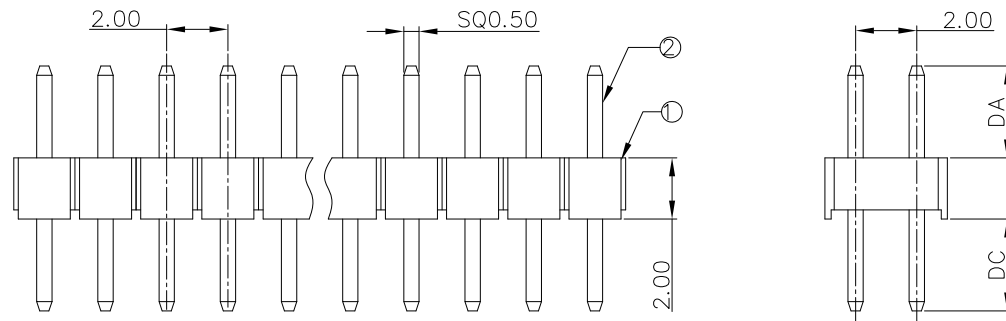
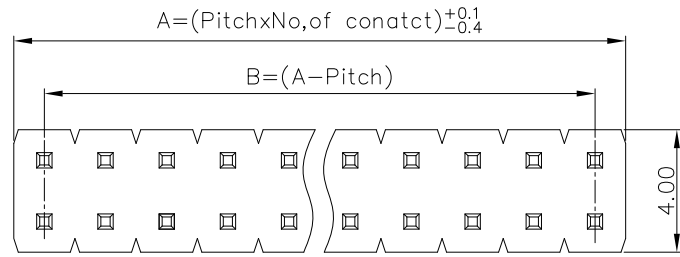
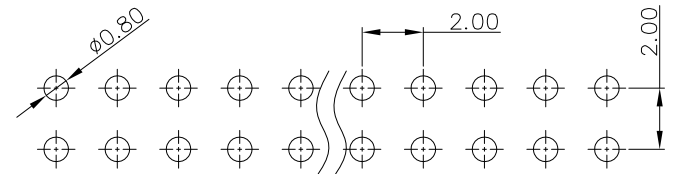


REV.	DESCRIPTION	DATE
A	New Drawing	2011/07/01

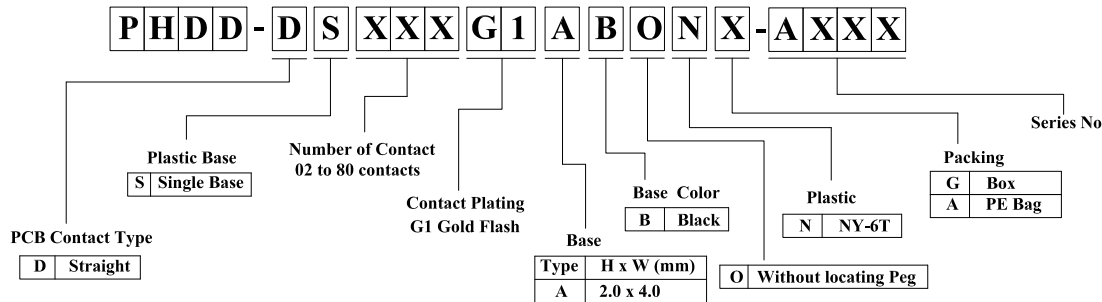


LTR	Part Name	Material	Description	QTY
1	Housing	Nylon UL94V-0	260°C for 10 Seconds . Initial : 1000M Ohms Min. After Test : 500M Ohms Min.	1
2	Contact	Brass	Current Rating : 2.0A Initial : 20m Ohms Max. After Test : 40m Ohms Max.	XX

Temperature Rating : -40°C ~ +125°C .  
Dielectric Withstanding Voltage : 500V AC/Min



### P.C.B LAYOUT



RoHS compliant

竣豪電子股份有限公司  
**Superior Tech Co., Ltd.**

General Tolerance		TITLE	2.0x2.0mm Pin Header ,Straight Dual Row	
X. ± 0.5		DRAWN	DATE	NO.
.X ± 0.3		Zhanghonglan	07-01-11'	002
.XX ± 0.2		CHECK	DATE	PART NO.
.XXX ± 0.1		APPROVED	DATE	PHDD-DSXXXG1ABONX-AXXX
角度	± 5°			CUSTOMER NO.

REV.	UNIT	SCALE
A	mm	1:1

