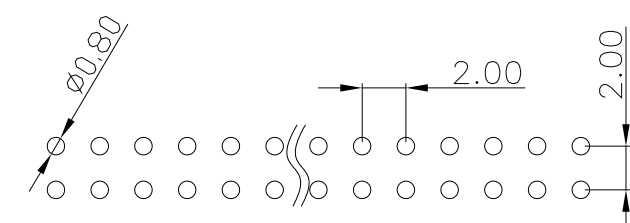
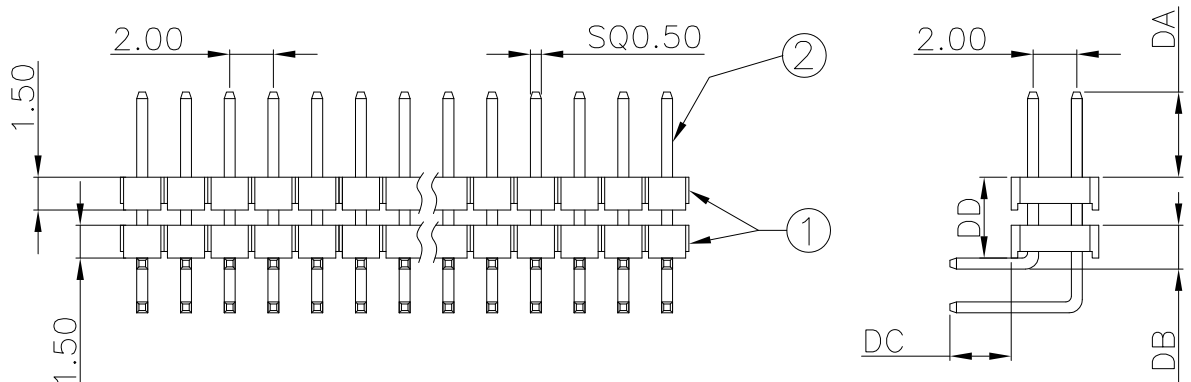
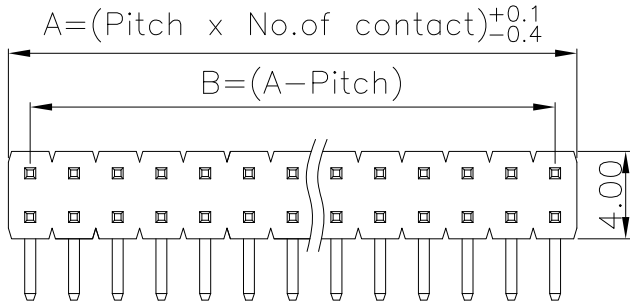


REV.	DESCRIPTION	DATE
A	New Drawing	2023/04/07



PHDD - R D XXX G1 B B O N G - C XXX

PCB Contact Type: **R** Right Angle
 Plastic Base: **D** Double Base
 Number of Contact: **02-80** contacts
 Contact Plating: **G1** Gold Flash
 Base Color: **B** Black
 Insulator: **N** NY-6T
 Packing: **G** Box
 Series No: **CXXX**
 Base: **B** Type, **1.5 x 4.0** H x W (mm)
O Without locating Peg

P.C.B LAYOUT

RoHS compliant

竣豪電子股份有限公司
Superior Tech Co., Ltd.

General Tolerance		TITLE	Pitch 2.0x2.0mm Pin Header ,Right Angle Dual Row	
X. ± 0.5	DRAWN	Jacky	DATE	NO.
.X ± 0.3			04-07-23'	002
.XX ± 0.2	CHECK	Tom	DATE	PART NO.
.XXX ± 0.1			04-07-23'	PHDD-RDXXXG1BBONG-CXXX
角度 ± 5°	APPROVED	Tom	DATE	CUSTOMER NO.
			04-07-23'	

REV.	UNIT	SCALE	
A	mm	2:1	