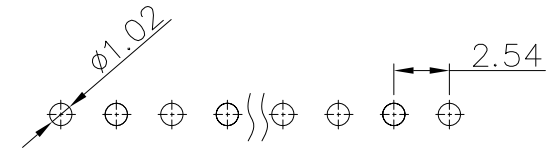


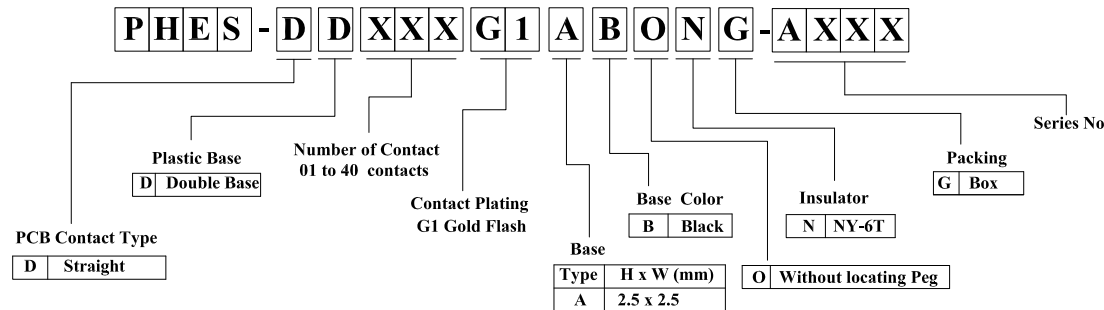
REV.	DESCRIPTION	DATE
A	New Drawing	2019/08/30

LTR	Part Name	Material	Description	QTY
1	Housing	Nylon UL94V-0	260°C for 10 Seconds . Initial : 1000M Ohms Min. After Test : 500M Ohms Min.	2
2	Contact	Brass	Current Rating : 3.0A Initial : 20m Ohms Max. After Test : 40m Ohms Max.	XX

Temperature Rating : -40°C ~ +125°C .
Dielectric Withstanding Voltage : 1000V AC/Min



P.C.B LAYOUT



RoHS compliant

竣豪電子股份有限公司
Superior Tech Co., Ltd.

General Tolerance	TITLE
X. ± 0.5	DRAWN Annie
.X ± 0.3	
.XX ± 0.2	CHECK DATE
.XXX ± 0.1	
角度 ± 5°	APPROVED DATE

2.54Pin Header Single Row.

NO.	002
PART NO.	PHES-DDXXXG1ABONG-AXXX
CUSTOMER NO.	

REV.	UNIT	SCALE
A	mm	1:1

