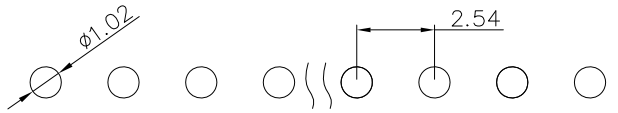
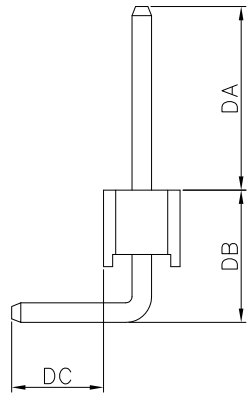
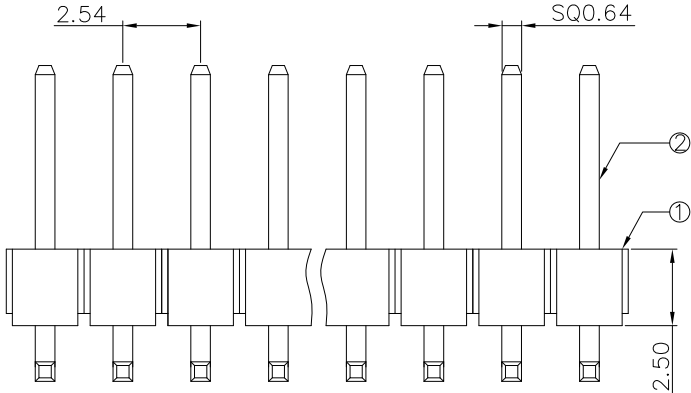
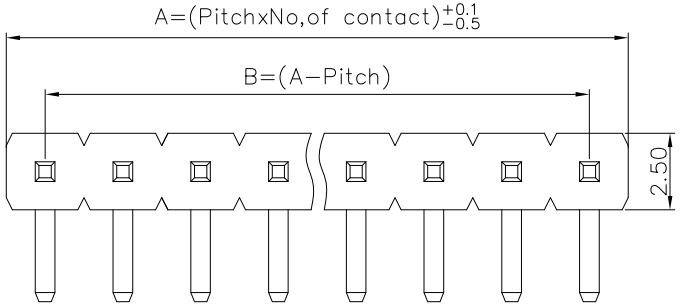


REV.	DESCRIPTION	DATE
A	New Drawing	2008/09/18

LTR	Part Name	Material	Description	QTY
1	Housing	Nylon UL94V-0	260°C for 10 Seconds . Initial : 1000M Ohms Min. After Test : 500M Ohms Min.	1
2	Contact	Brass	Current Rating : 3.0A Initial : 20m Ohms Max. After Test : 40m Ohms Max.	XX

Normal Force : 800 Grams Average .
Temperature Rating : -40°C ~ +125°C .
Dielectric Withstanding Voltage : 1000V AC/Min



P.C.B. LAYOUT

RoHS compliant

P H E S - R S X X X G 1 A B O N A - C X X X

- PCB Contact Type: R Right Angle
- Plastic Base: S Single Base
- Number of Contact: 01 to 40 contacts
- Contact Plating: G1 Gold Flash
- Base Color: B Black
- Base: A 2.5 x 2.5
- Plastic: N NY-6T
- Packing: A PE Bag
- Series No
- Without locating Peg

Type	H x W (mm)
A	2.5 x 2.5

竣豪電子股份有限公司
Superior Tech Co., Ltd.

General Tolerance		TITLE		2.54mm Pin Header Single Row, Right Angle	
X. ± 0.5		DRAWN		DATE	NO.
.X ± 0.3		ZhaoXiaoLin		09-18-08'	002
.XX ± 0.2		CHECK		DATE	PART NO.
.XXX ± 0.1		XiaoPing		09-18-08'	P H E S - R S X X X G 1 A B O N A - C X X X
角度	± 5°	APPROVED		DATE	CUSTOMER NO.
		YEH		09-18-08'	

REV.	UNIT	SCALE	
A	mm	4:1	