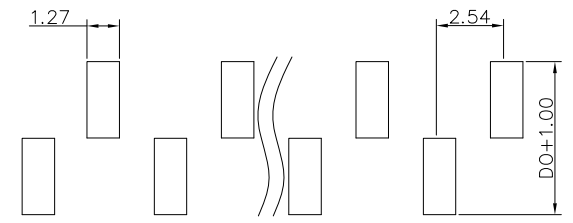


REV.	DESCRIPTION	DATE
A	New Drawing	2021/09/30

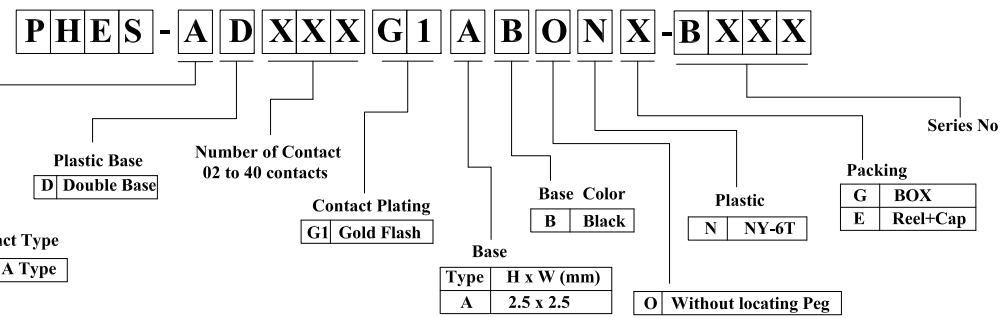
LTR	Part Name	Material	Description	QTY
1	Housing	Nylon UL94V-0	260°C for 10 Seconds . Initial : 1000M Ohms Min. After Test : 500M Ohms Min.	2
2	Contact	Brass	Current Rating : 3.0A Initial : 20m Ohms Max. After Test : 40m Ohms Max.	XX
3	Cap	LCP UL94V-0	260°C for 10 Seconds .	1

Temperature Rating : -40°C ~ +125°C .
Dielectric Withstanding Voltage : 1000V AC/Min



P.C.B LAYOUT

RoHS compliant



竣豪電子股份有限公司
Superior Tech Co., Ltd.

General Tolerance		TITLE	2.54mm Pin Headere,SMT Single Row,Double Plastic Base	
X. ± 0.5		DRAWN	Jacky	DATE 09-30-21'
.X ± 0.3		CHECK	Tom	DATE 09-30-21'
.XX ± 0.2		APPROVED	Joe	DATE 09-30-21'
.XXX ± 0.1				
角度 ± 5°				
		NO.	002	
		PART NO.	PHES-ADXXXG1ABONX-BXXX	
		CUSTOMER NO.		

REV.	UNIT	SCALE	
A	mm	1:1	