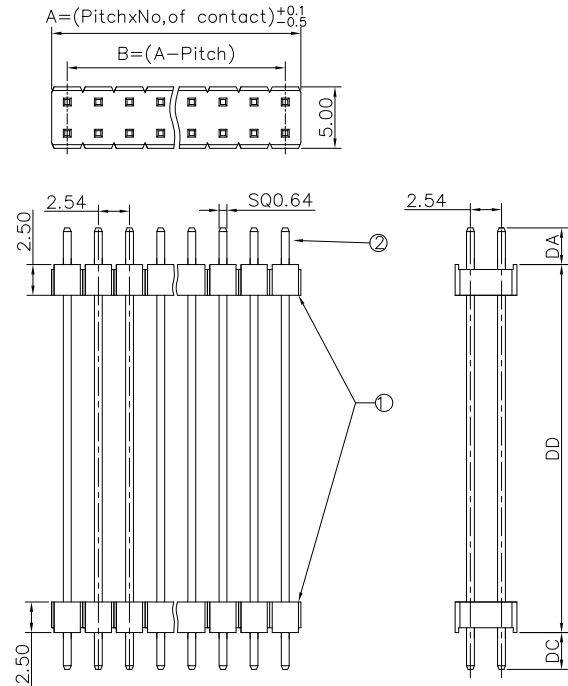
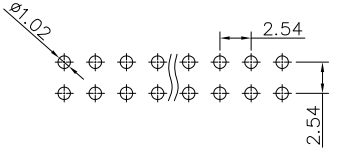


REV.	DESCRIPTION	DATE
A	New Drawing	2022/04/19

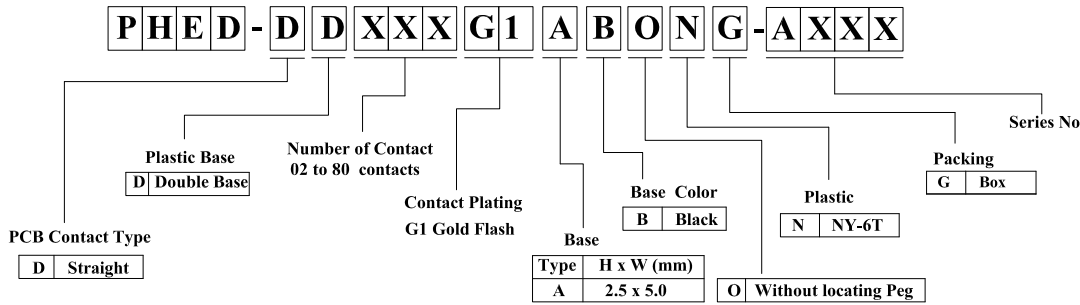


LTR	Part Name	Material	Description	QTY
1	Housing	Nylon UL94V-0	260°C for 10 Seconds . Initial : 1000M Ohms Min. After Test : 500M Ohms Min.	2
2	Contact	Brass	Current Rating : 3.0A Initial : 20m Ohms Max. After Test : 40m Ohms Max.	XX

Temperature Rating : -40°C ~ +125°C .
Dielectric Withstanding Voltage : 1000V AC/Min



P.C.B LAYOUT



RoHS compliant

竣豪電子股份有限公司
Superior Tech Co., Ltd.

General Tolerance		TITLE Pitch 2.54x2.54mm Pin Header Straight Dual Rows,Dual Plastic Base	
X. ± 0.5		DRAWN Jacky	DATE 04-19-22' NO. 002
.X ± 0.3		CHECK Tom	DATE 04-19-22' PART NO. PHED-DDXXXG1ABONG-AXXX
.XX ± 0.2		APPROVED Tom	DATE 04-19-22' CUSTOMER NO.
.XXX ± 0.1		角度 ± 5°	

REV.	UNIT	SCALE	
A	mm	1:1	