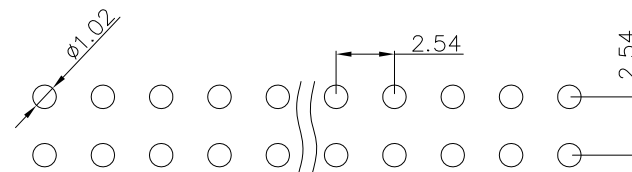
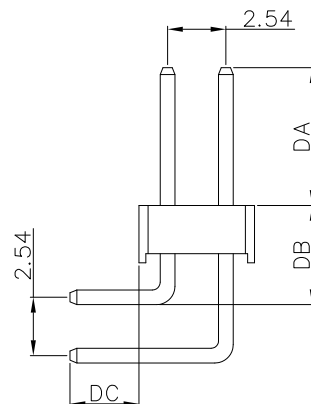
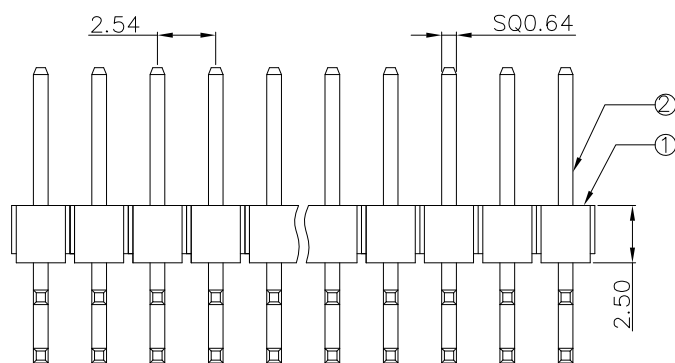
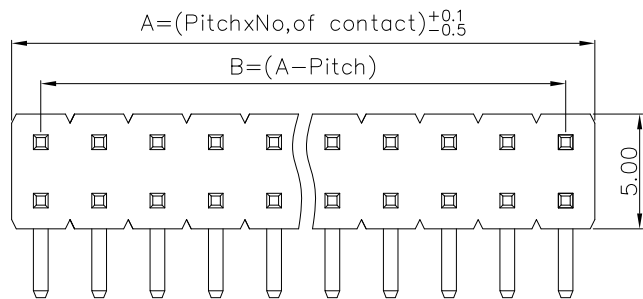
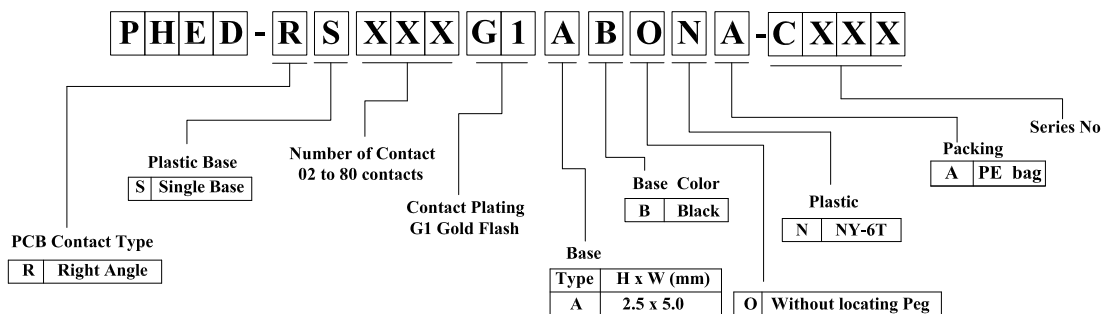


REV.	DESCRIPTION	DATE
A	New Drawing	2008/09/18



P.C.B LAYOUT



RoHS compliant

竣豪電子股份有限公司
Superior Tech Co., Ltd.

General Tolerance		TITLE	Pitch 2.54x2.54mm Pin Header Dual Row,90°	
X. ± 0.5		DRAWN	DATE	NO.
.X ± 0.3		ZhaoXiaoLin	09-18-08'	002
.XX ± 0.2		CHECK	DATE	PART NO.
.XXX ± 0.1		XiaoPing	09-18-08'	PHED-RSXXXG1ABONA-CXXX
角度 ± 5°		APPROVED	DATE	CUSTOMER NO.
		YEH	09-18-08'	

REV.	UNIT	SCALE	
A	mm	3:1	