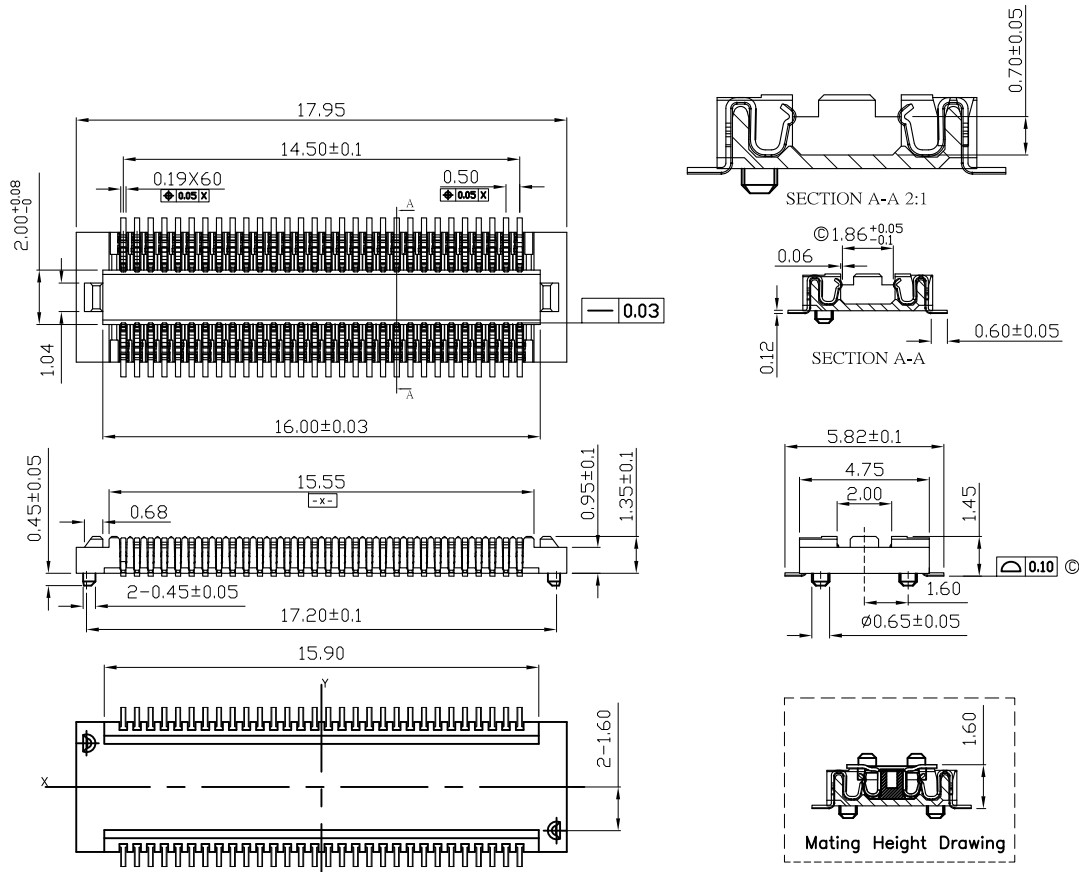


REV.	DESCRIPTION	DATE
A	New Drawing	2013/02/01

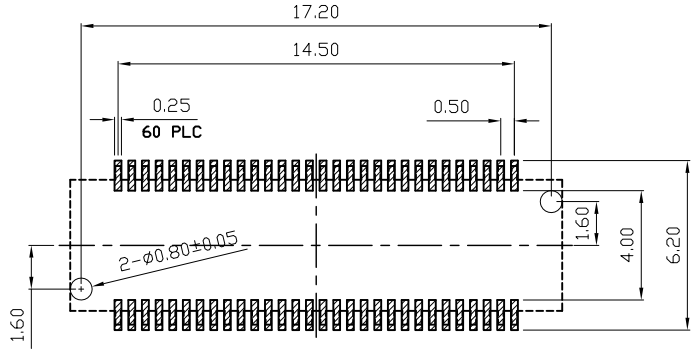
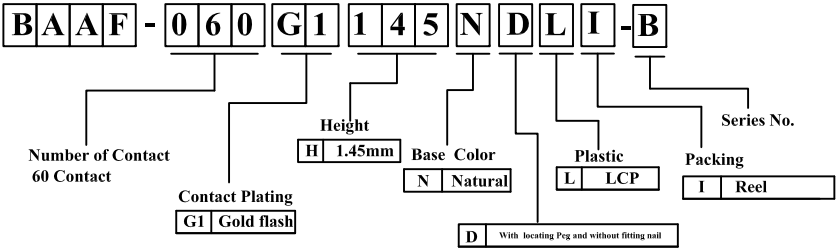


Compliance with:  
 PCIe4.0(GT/S),  
 USB3.2 Gen2(10Gbps),  
 USB3.2 Gen2 Type C(10Gbps)  
 Mating with:  
 "BBAF-060G1125NDLI-B"

MARKD©:DIMENSIONS. NEED.BE MEASURED IN CPK.

LTR	Part Name	Material	Description	QTY
1	Housing	LCP UL94V-0	260°C for 10 Seconds. Initial : 1000M Ohms Min.	1
2	Contact	Bronze C5191	Current Rating : 0.5 A Initial : 30m Ohms Max.	60

Temperature Rating : -40°C ~ +105°C .  
 Dielectric Withstanding Voltage : 300 V AC/Min



▨ : STAND OFF AREA  
 TOLERANCE: ±0.05  
 RECOMMENDED PCB LAYOUT  
 (TOP VIEW)

RoHS compliant

**Superior Tech Co., Ltd.**

General Tolerance	TITLE	PH.05 BTOB H1.45 60PIN Female	
X. ± 0.5	DRAWN Tom	DATE	NO.
.X ± 0.3		02-01-13'	002
.XX ± 0.2	CHECK	DATE	PART NO.
.XXX ± 0.1			BAAF-060G1145NDLI-B
Angle ± 5°	APPROVED	DATE	CUSTOMER NO.

REV.	UNIT	SCALE	
A	mm	1:1	