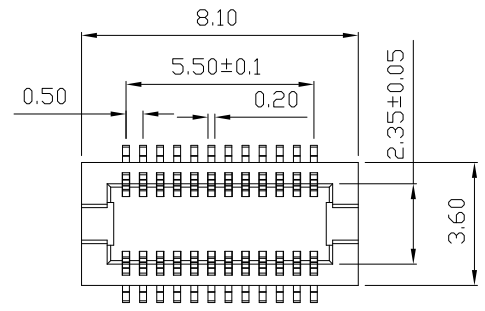


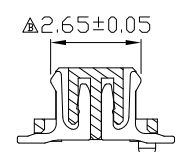
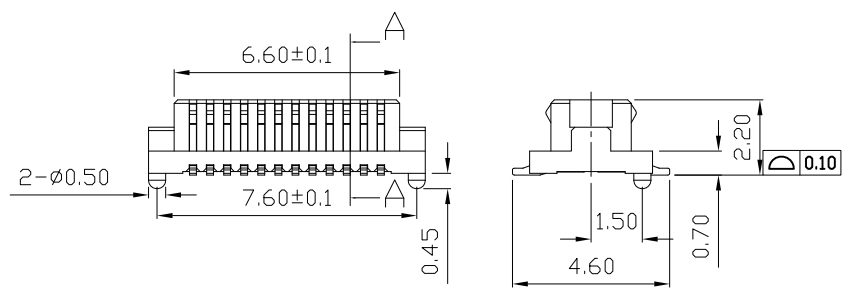
REV.	DESCRIPTION	DATE
A	New Drawing	2013/04/07
B	修改GAP尺寸	2013/07/03



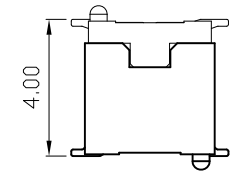
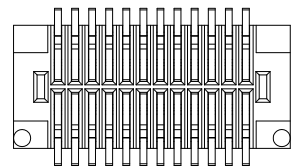
Mating with:  
"BAAK-024G1330NDLF-B"

NOTE:

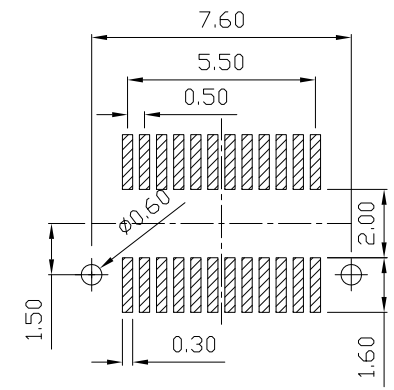
- MATERIAL:  
HOUSING: LCP+30%GF (halogen free), UL 94V-0.  
CONTACTS: Bronze.
- FINISH:  
CONTACTS: GOLD SHALL BE PLATED ON GOLD [5μ" MIN] ON CONTACT AREA GOLD [5μ" MIN] ON SOLDER TAIL OVER NICKEL [50μ" ~100μ" ] UNDER-PLATING



剖面A-A



Mating Height Drawing



▨ : STAND OFF AREA  
TOLERANCE: ±0.05  
RECOMMENDED PCB LAYOUT  
(TOP VIEW)

<b>B</b>	<b>B</b>	<b>A</b>	<b>K</b>	-	<b>0</b>	<b>2</b>	<b>4</b>	<b>G</b>	<b>1</b>	<b>0</b>	<b>7</b>	<b>0</b>	<b>N</b>	<b>D</b>	<b>L</b>	<b>I</b>	-	<b>B</b>
				Number of Contact 24 Contact		Contact Plating G1 Gold Flash		Height H 0.70mm		Base Color N Natural		Plastic L LCP		Packing I Reel		Series No.		
D With locating Peg and without fitting nail																		

RoHS compliant & halogen free

竣豪電子股份有限公司  
**Superior Tech Co., Ltd.**

General Tolerance		TITLE		PH0.5 BTOB H0.7 24PIN 公座成品圖	
X. ± 0.5		DRAWN		DATE	
.X ± 0.3		張紅蘭		07-03-13'	
.XX ± 0.2		CHECK		DATE	
.XXX ± 0.1		APPROVED		DATE	
角度 ± 5°				DWG. NO. 002	
				PART NO. BBAK-024G1070NDLI-B	
				CUSTOMER NO.	

REV.	UNIT	SCALE	
B	mm	1:1	