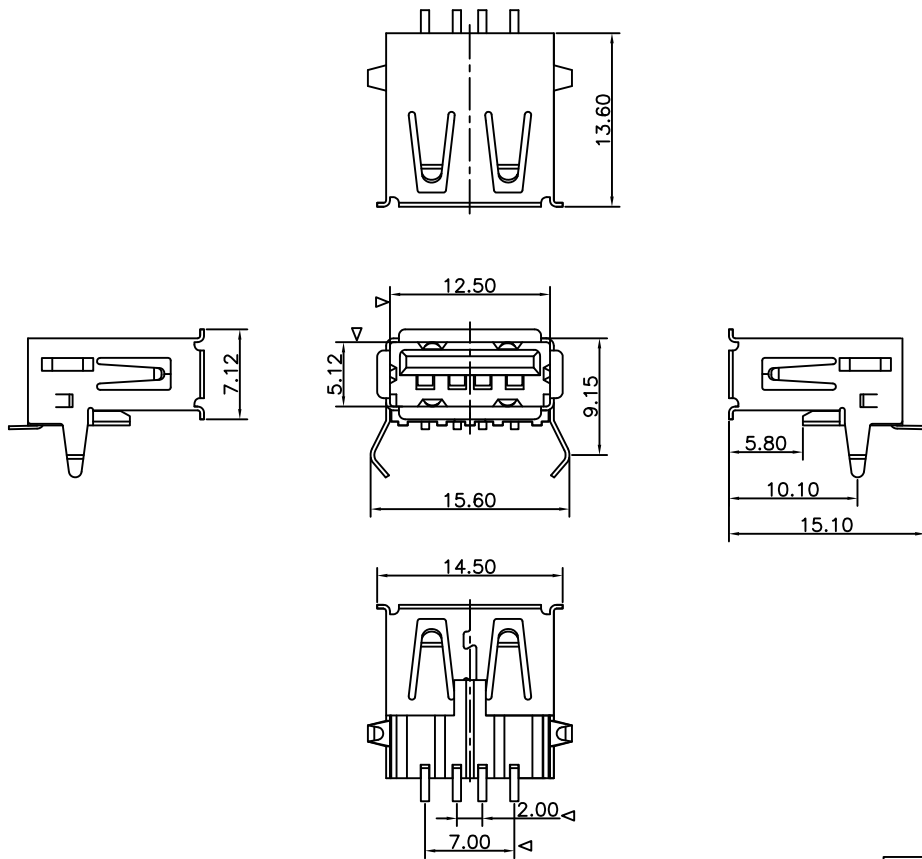
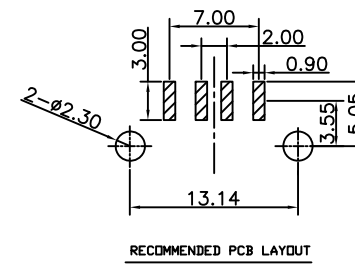


REV.	DESCRIPTION	DATE
B	更新圖面	2019/06/14

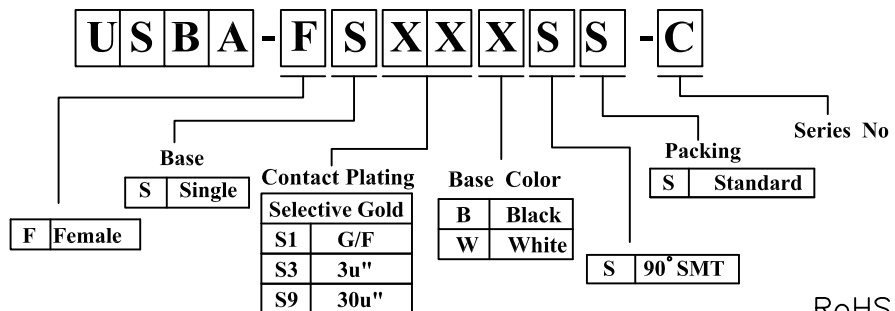


- NOTES:
- ELECTRICAL CHARACTERISTIC:
 - VOLTAGE CURRENT RATING: 2.1AMP, 30V AC;
 - INSULATION RESISTANCE: 1000MΩ MIN;
 - CONTACT RESISTANCE: 30mΩ MAX;
 - WITHSTANDING VOLTAGE: 500V AC;
 - Mechanical:
 - Mating Force: 35N MAX
 - Unmating Force: 10N MIN.
 - NOTE: 1. DIMENSIONS MARKED "▽" TO BE CHECKED BY Q.C & IPQC.



Bill of materials:

NO	PARTS	MATERIAL	QTY	FINISHING
3	HOUSING	LCP	1	UL94V-0
2	SHELL	COPPER ALLOY	1	PLATED NICKEL
1	TERMINAL	COPPER ALLOY	4	PLATED GOLD/TIN



RoHS compliant

竣豪電子股份有限公司
Superior Tech Co., Ltd.

General Tolerance	TITLE	USB A FEMALE 90 度SMT (加後包)	
X. ± 0.5	DRAWN	DATE	NO.
.X ± 0.3	Tom	06-14-19'	T006
.XX ± 0.2	CHECK	DATE	PART NO.
.XXX ± 0.1	APPROVED	DATE	USBA-FSXXXSS-C
角度 ± 5°			CUSTOMER NO.

REV.	UNIT	SCALE	
B	mm	1:1	