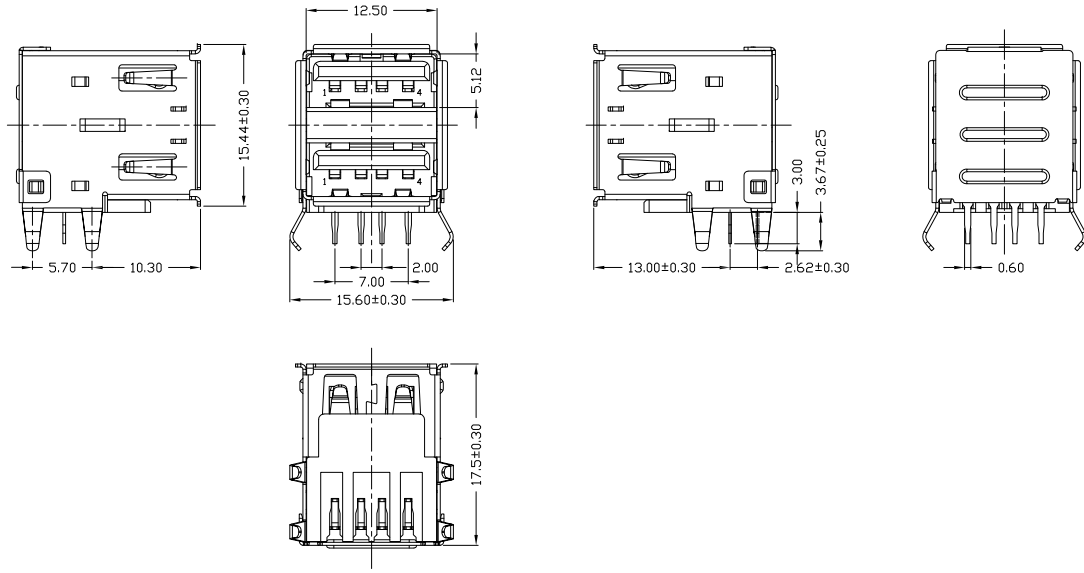
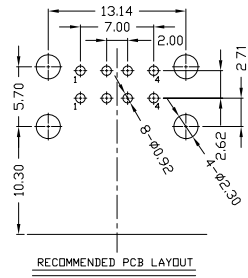
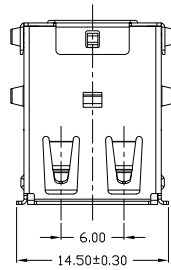


REV.	DESCRIPTION	DATE
B	更新描述	2012/01/31
C	更改尺寸	2014/11/07
D	更改尺寸 $\Delta$	2016/08/17
E	加長端子倒角	2021/06/21

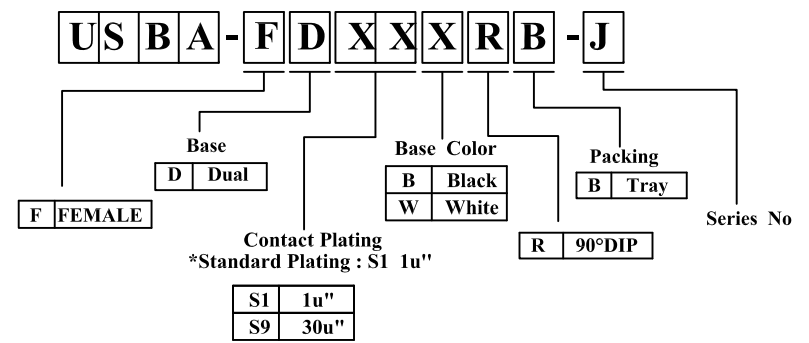


NOTES:

- ELECTRICAL:
  - VOLTAGE CURRENT RATING: 2AMP,30V AC;
  - INSULATION RESISTANCE: 1000M $\Omega$  MIN;
  - CONTACT RESISTANCE: 30m $\Omega$  MAX;
  - WITHSTANDING VOLTAGE: 500V AC;
  - OPERATING TEMPERATURE:-55°C TO +85°C.
- Mechanical:
  - Mating Force: 35N MAX
  - Unmating Force: 10N MIN.
- DIMENSIONS MARKED  $\blacktriangledown$  " TO BE CHECKED BY Q.C & IPQC.

Bill of materials:

NO	PARTS	MATERIAL	QTY	FINISHING
5	CLIP	COPPER ALLOY	1	PLATED NICKEL
4	BACK COVER	SPCC	1	PLATED NICKEL
3	HOUSING	PBT	1	UL94V-0
2	SHELL	COPPER ALLOY	1	PLATED NICKEL
1	TERMINAL	COPPER ALLOY	8	PLATED GOLD/TIN



RoHS compliant

<h1 style="text-align: center;">竣豪電子股份有限公司</h1> <h2 style="text-align: center;">Superior Tech Co., Ltd.</h2>				General Tolerance		TITLE		USB A母雙層90° 半包成品(無彈有蓋)			
				X. $\pm$ 0.5		DRAWN		DATE		NO.	
REV. E		UNIT mm		SCALE 1:1		Jacky		06-21-21'		T006	
						Tom		06-21-21'		PART NO.	
Joe		mm		1:1		Joe		06-21-21'		CUSTOMER NO.	
						角度 $\pm$ 5°					