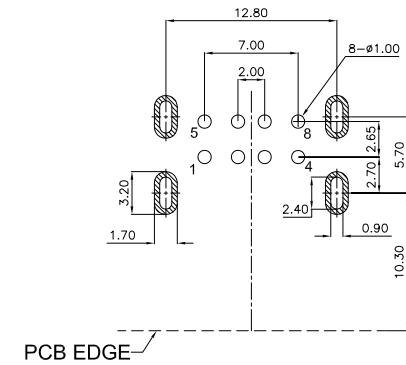
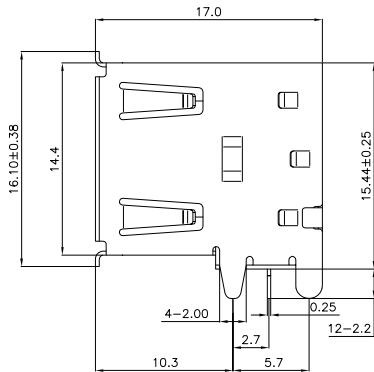
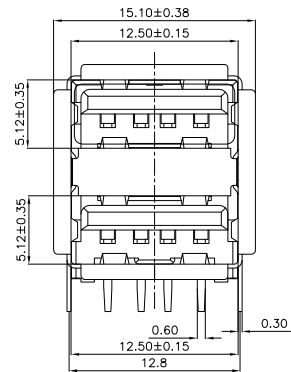
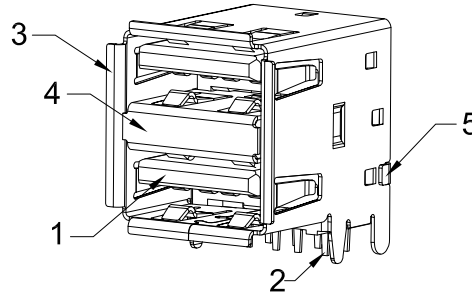
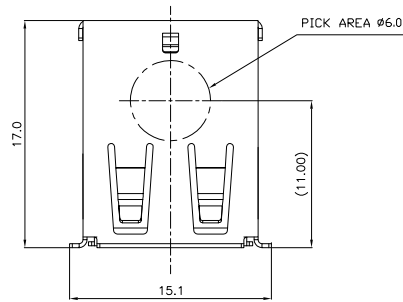
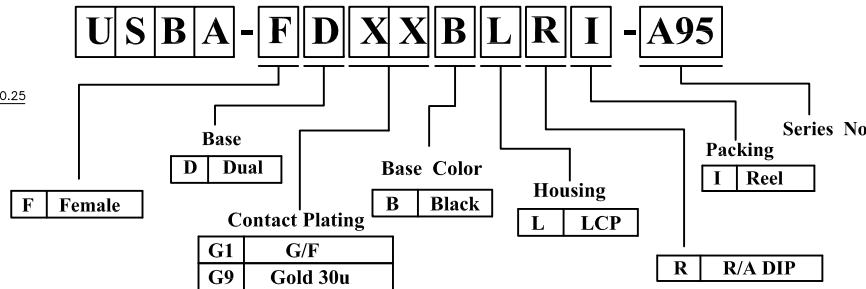
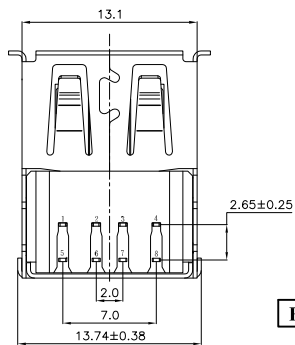


REV.	DESCRIPTION	DATE
A	New Drawing	2021/04/16



RECOMMENDED PCB LAYOUT
TOP VIEW
TOLERANCE:±0.05mm
PCB THICKNESS:1.60±0.05mm



RoHS compliant

NO	NAME	MATERIAL	FINISH
1	Housing	LCP	Black
2	Terminal	C5191	Solder Area :Matte-Tin Plated Contact Area :Gold Plated
3	Shell	Copper Alloy	Ni Plated
4	Spring	Copper Alloy	Ni Plated
5	Back Shell	Copper Alloy	Ni Plated

竣豪電子股份有限公司
Superior Tech Co., Ltd.

General Tolerance

X. ± 0.5	角度	± 5°
.X ± 0.3		
.XX ± 0.2		
.XXX ± 0.1		

TITLE

USB A TYPE Female 雙層

DRAWN

Jacky

DATE

04-16-21'

NO.

T007

CHECK

Tom

DATE

04-16-21'

PART NO.

USBA-FDXXBLRI-A95

APPROVED

Joe

DATE

04-16-21'

CUSTOMER NO.

REV.

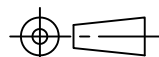
A

UNIT

mm

SCALE

1:1



(Q2-R03-01A) ST-R05-07