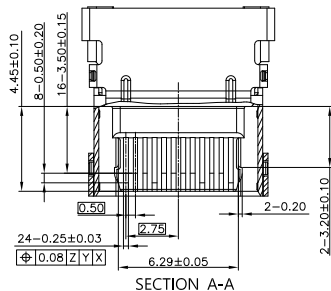
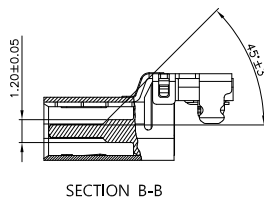
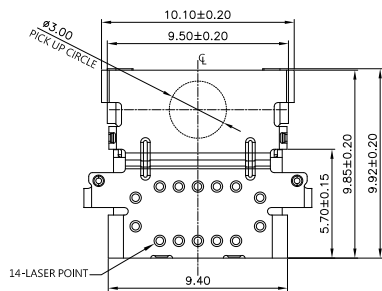
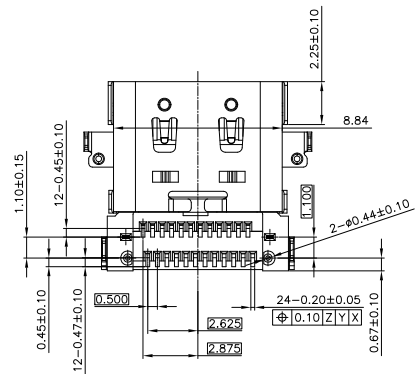
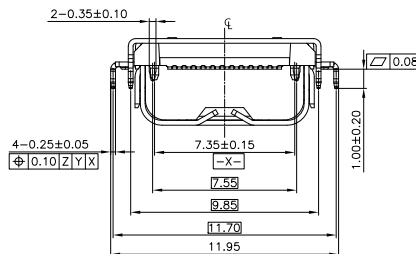
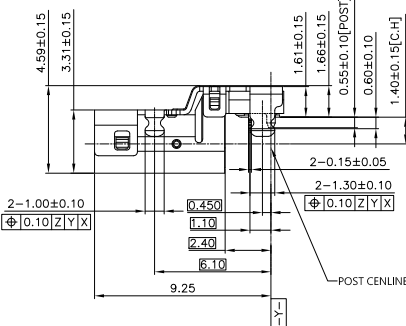
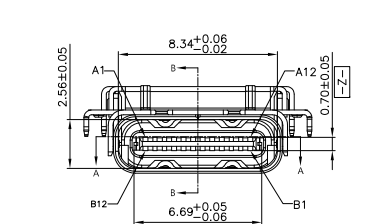


REV.	DESCRIPTION	DATE
A	New Drawing	2023/08/08



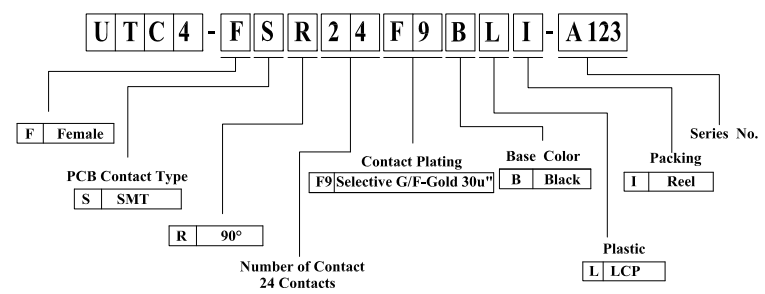
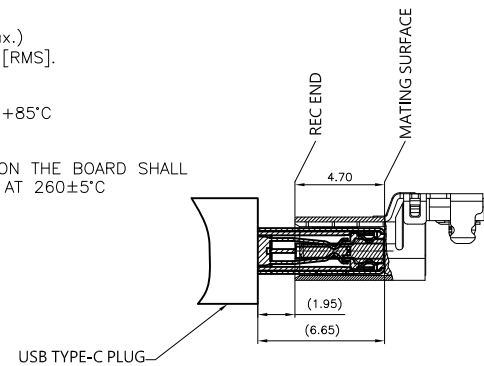
NOTE:  
 1. MATERIAL SPECIFICATION  
 HOUSING\_BLACK: LCP\_E6808UHF+40%GF[UL94V-0]  
 CONTACT\_PIN: COPPER\_ALLOY\_C18400  
 OUT\_SHELL: SUS\_304\_3/4H  
 MID\_SHELL: SUS\_301\_EH [T=0.15]  
 IN\_SHELL: SUS\_304\_3/4H  
 2. PLATING SPECIFICATION  
 CONTACT\_PIN: NICKEL 50u"(Min.) UNDER PLATING OVER ALL.  
 GOLD PLATING 30u"(Min.) ON CONTACT AREA.  
 G/F PLATING ON SOLDER AREA.  
 OUT\_SHELL: NICKEL 50u"(Min.) PLATING ON SOLDER AREA  
 IN\_SHELL: NICKEL 50u"(Min.) PLATING ON SOLDER AREA  
 MID\_SHELL: NICKEL 50u"(Min.) PLATING ON SOLDER AREA



USB TYPE-C PIN ASSIGNMENTS

PIN NUMBER	SIGNAL NAME	PIN NUMBER	SIGNAL NAME
A1	GND	B12	GND
A2	SSTXp1	B11	SSRXp1
A3	SSTXn1	B10	SSRXn1
A4	Vbus	B9	Vbus
A5	CC1	B8	SBU2
A6	Dp1	B7	Dn2
A7	Dn1	B6	Dp2
A8	SBU1	B5	CC2
A9	Vbus	B4	Vbus
A10	SSRXn2	B3	SSTXn2
A11	SSRXp2	B2	SSTXp2
A12	GND	B1	GND

3. HF COMPLIANT, RoHS COMPLIANT  
 4. ELECTRICT  
 CURRENT RATING: 5.0A(Max.)  
 VOLTAGE RATING: 20V AV [RMS].  
 5. ENVIRONMENTAL  
 TEMPERATURE: -25°C TO +85°C  
 6. IR REFLOW  
 THE PEAK TEMPERATURE ON THE BOARD SHALL  
 MAINTAIN 10±1 SECONDS AT 260±5°C



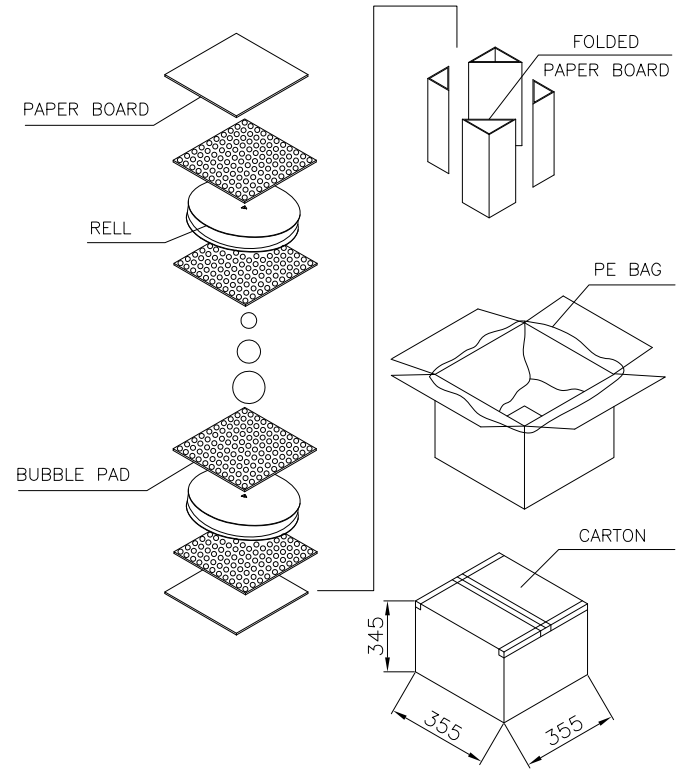
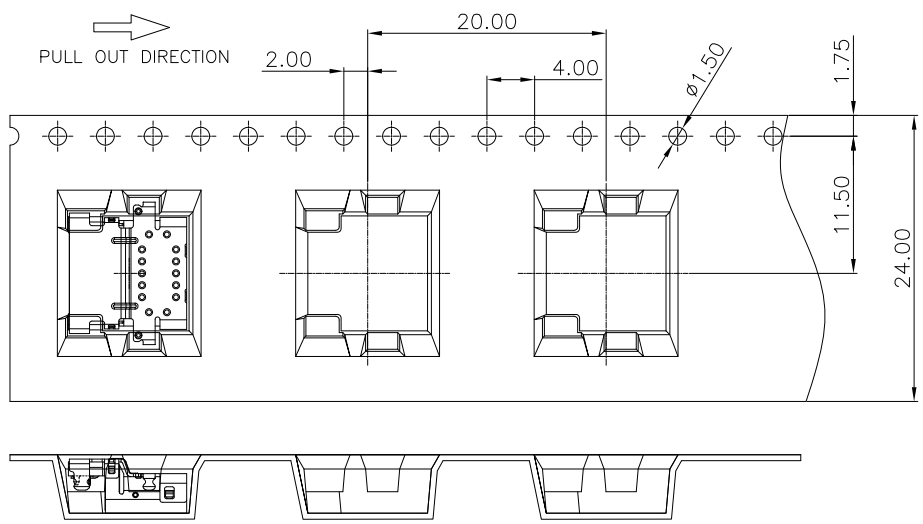
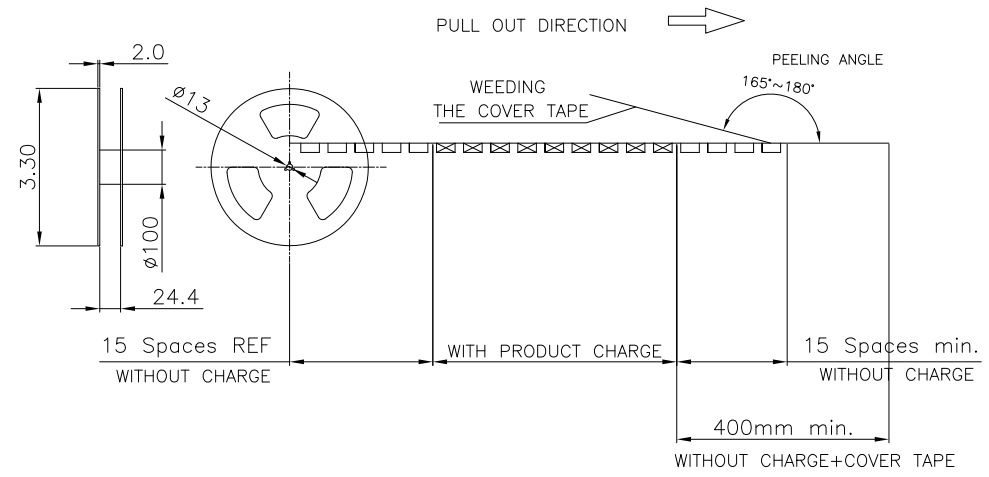
竣豪電子股份有限公司  
**Superior Tech Co., Ltd.**

General Tolerance	TITLE	USB Type-C 4.0 沉板式24P CH=1.4mm	
X. ± 0.5	DRAWN	DATE	NO.
.X ± 0.3	Jacky	08-08-23'	D052
.XX ± 0.2	CHECK	DATE	PART NO.
.XXX ± 0.1	Tom	08-08-23'	UTC4-FSR24F9BLI-A123
角度 ± 5°	APPROVED	DATE	CUSTOMER NO.
	Tom	08-08-23'	1/3

REV.	UNIT	SCALE	
A	mm	1:1	



REV.	DESCRIPTION	DATE
A	New Drawing	2023/08/08



NOTE:  
1. QUANTITY: 600PCS/ROLL, 6000PCS/CARTON

竣豪電子股份有限公司  
**Superior Tech Co., Ltd.**

REV. A	UNIT mm	SCALE 1:1		General Tolerance	TITLE	UTC4-FSR24F9BLI-A123 包裝圖	
				X. ± 0.5	DRAWN	DATE	NO.
				.X ± 0.3	Jacky	08-08-23'	D052
				.XX ± 0.2	CHECK	DATE	PART NO.
				.XXX ± 0.1	Tom	08-08-23'	UTC4-FSR24F9BLI-A123
				角度 ± 5°	APPROVED	DATE	CUSTOMER NO.
					Tom	08-08-23'	3/3

(Q2-R03-01A) ST-R05-07