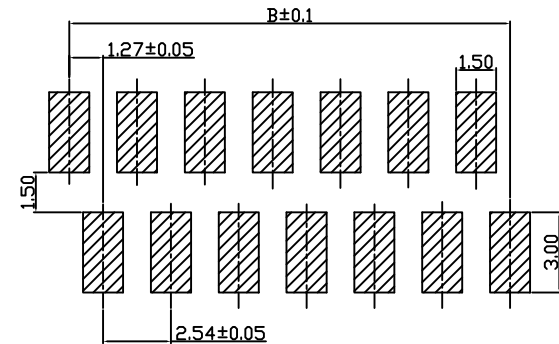
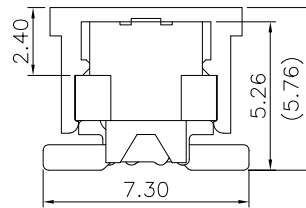
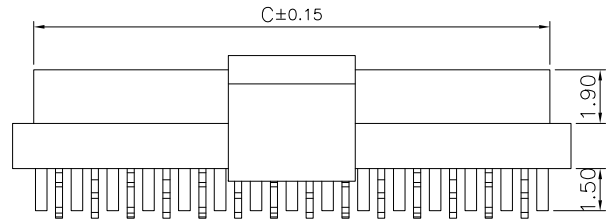
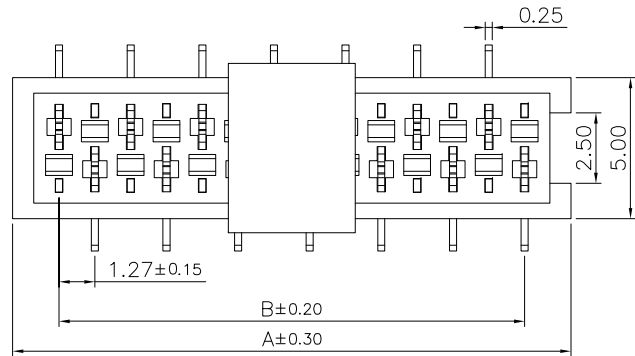
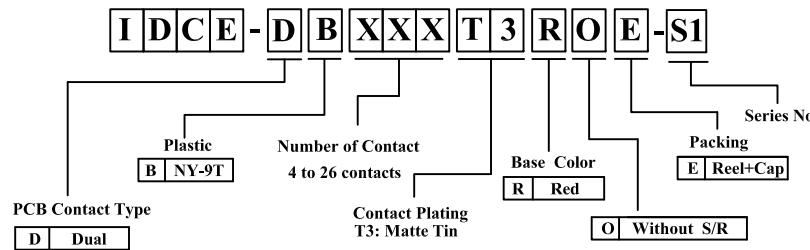


REV.	DESCRIPTION	DATE
A	New Drawing	2019/06/14
B	更改塑膠材質	2022/05/30



PCB Layout

Pos	A	B	C	Pos	A	B	C
4	7.00	3.81	5.60	16	22.24	19.05	20.84
6	9.54	6.35	8.14	18	24.78	21.59	23.38
8	12.08	8.89	10.68	20	27.32	24.13	25.92
10	14.62	11.43	13.22	22	29.86	26.67	28.46
12	17.16	13.97	15.76	24	32.40	29.21	31.00
14	19.70	16.51	18.30	26	34.94	31.75	33.54



RoHS compliant

竣豪電子股份有限公司
Superior Tech Co., Ltd.

General Tolerance		TITLE	
X. ± 0.5		IDC SOCKET PH2.54 Micro Match Male SMT TYPE	
.X ± 0.3		DRAWN	DATE
.XX ± 0.2		Jacky	05-30-22'
.XXX ± 0.1		CHECK	DATE
角度 ± 5°		Tom	05-30-22'
		APPROVED	DATE
		Tom	05-30-22'
		NO.	T230
		PART NO.	IDCE-DBXXXT3ROE-S1
		CUSTOMER NO.	

REV.	UNIT	SCALE
B	mm	1:1

