

REV.	DESCRIPTION	DATE
A	New Drawing	2021/01/05

Technical Data:

Material:

Solder Pin: Copper Alloy Tin plated

Insulator body(housing): Polyamide(Glass filled)(UL94V-0)

Electrical

Voltage rating: 300VAC

Current rating: 12 Amps/way max

Withstanding Voltage: 2500VAC(1min) Test time=60sec/1pcs

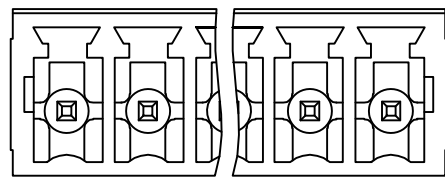
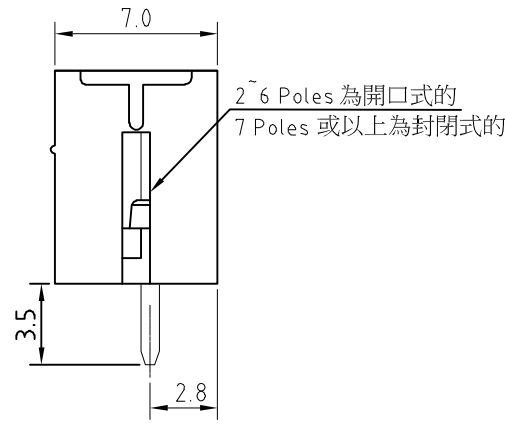
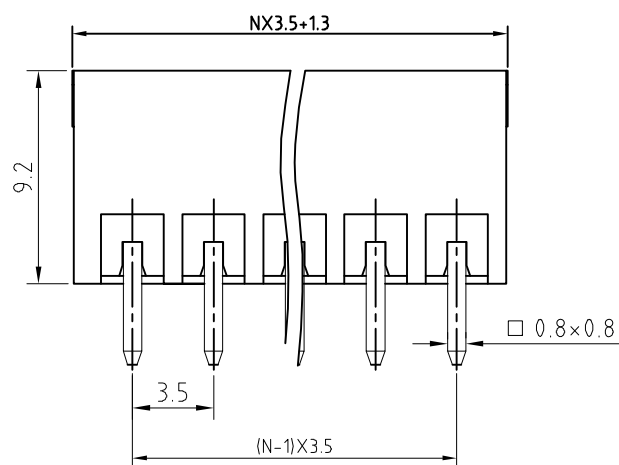
Mechanical:

Operating temperature: -40°C to +105°C

Soldring reliability:

Test temperature= 250°C±10°C

5 seconds max



ST-152-A-XX

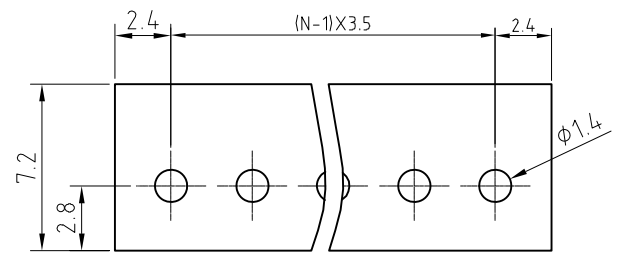
Series No

Packing

A PE Bag

Pin number

02 to24



P.C.B. LAYOUT

N=Number of contacts

RoHS Compliant

竣豪電子股份有限公司
Superior Tech Co., Ltd.

General Tolerance		TITLE	PH3.5 Terminal Block	
X. ± 0.5		DRAWN	DATE	NO.
.X ± 0.3		Tom	01-05-21'	T149
.XX ± 0.2		CHECK	DATE	PART NO.
.XXX ± 0.1		APPROVED	DATE	ST-152-A-XX
角度 ± 5°				CUSTOMER NO.

REV.	UNIT	SCALE	
A	mm	N/A	