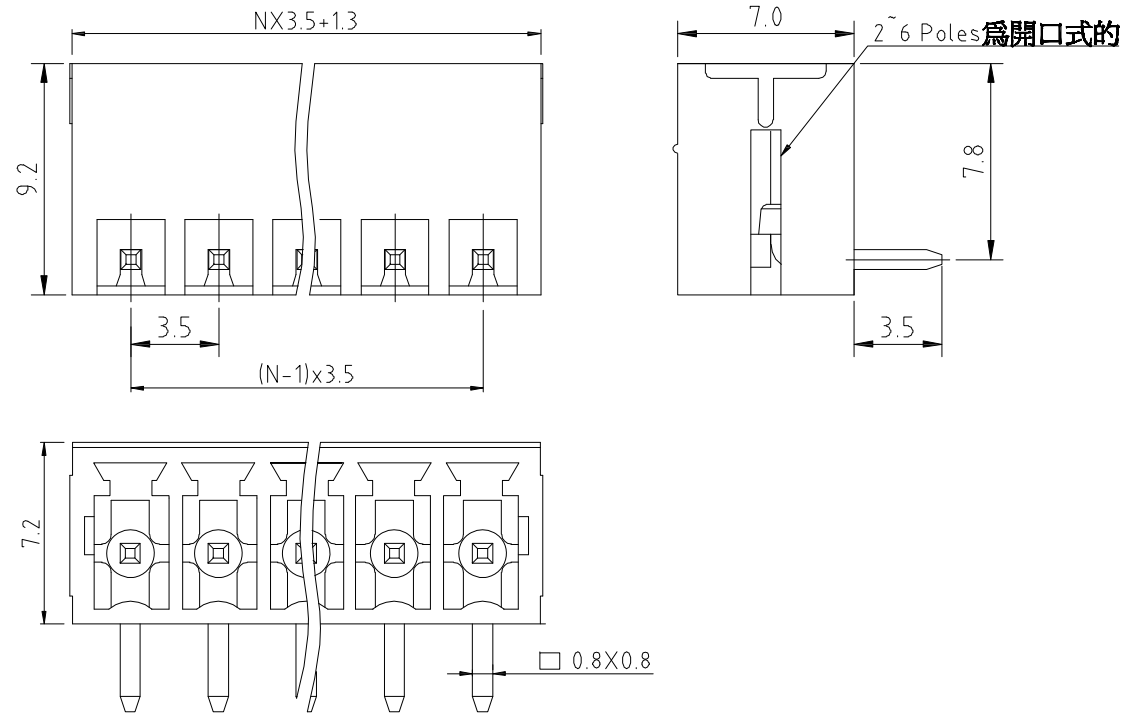
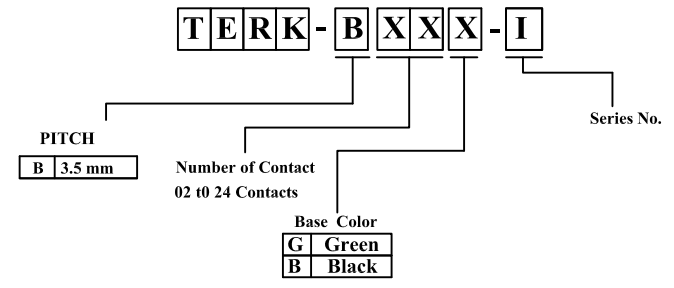


REV.	DESCRIPTION	DATE
A	New Drawing	2019/05/10
B	修正外形尺寸	2021/01/25



Technical Data:
Material:
Solder Pin: Copper Alloy Tin plated
Insulator body(housing): Polyamide(Glass filled)(UL94V-0)
Electrical
Voltage rating: 300VAC
Current rating: 12 Amps/way max
Withstanding Voltage: 2500VAC(1min) Test time=60sec/1pcs
Mechanical:
Operating temperature: -40°C to +105°C
Soldering reliability:
Test temperature= 250°C±10°C
5 seconds max



竣豪電子股份有限公司
Superior Tech Co., Ltd.

General Tolerance		TITLE 端子台		TERMINAL BLOCK PH 3.5	
X. ± 0.5	DRAWN Tom	DATE	NO.		
.X ± 0.3		01-22-25'	T149		
.XX ± 0.2	CHECK	DATE	PART NO.		
.XXX ± 0.1			TERK-BXXX-I		
角度 ± 5°	APPROVED	DATE	CUSTOMER NO.		

REV.	UNIT	SCALE	
B	mm	1:1	