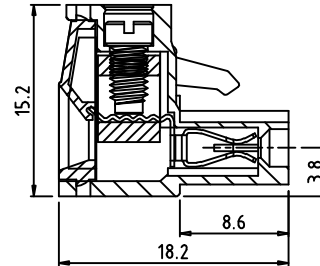
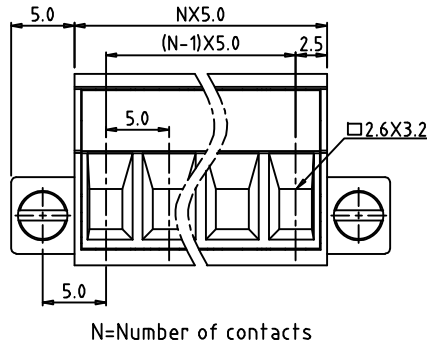
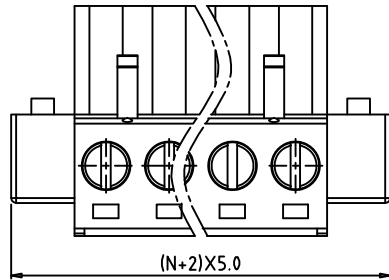


REV.	DESCRIPTION	DATE
A	New Drawing	2020/03/10
B	修正外形尺寸	2020/01/25



Technical Data:

Material:

Contact(metal housing): Copper Alloy with Ni plated  
Terminal screw: Steel galvanized with Cr3+ plated  
Wire guard: Copper Alloy, Tin plated.  
Insulator body(housing): Polyamide(UL94V-0)

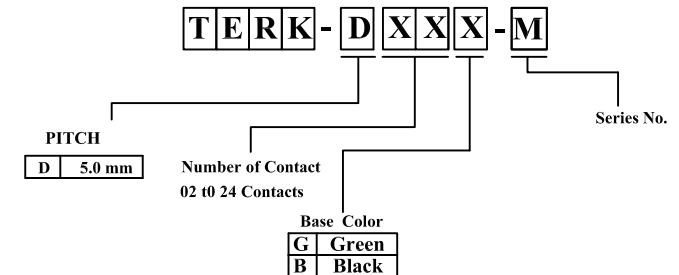
Electrical

Voltage rating: 300VAC  
Current rating: 16 Amps/way max  
Contact resistance: 20mΩ(max)  
Withstanding Voltage: 2500VAC(1min) Test time=60sec/1pcs  
Wire range: 12-26AWG

Mechanical:

Torque: 5.0kgf.cm/M3  
Operating temperature: -40°C to +105°C  
Soldering reliability:  
Test temperature= 250°C±10°C  
5 seconds max

Ordering Information:



竣豪電子股份有限公司  
**Superior Tech Co., Ltd.**

General Tolerance		TITLE	端子台 TERMINAL BLOCK PH 5.0 公座	
X. ± 0.5		DRAWN	DATE	NO.
.X ± 0.3		Tom	01-21-25'	T149
.XX ± 0.2		CHECK	DATE	PART NO.
.XXX ± 0.1		APPROVED	DATE	TERK-DXXX-M
角度	± 5°			CUSTOMER NO.

REV.	UNIT	SCALE	
B	mm	1:1	