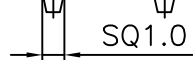
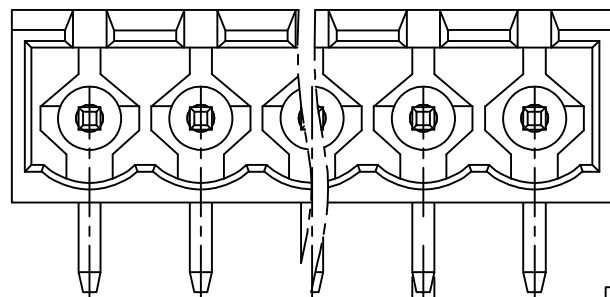
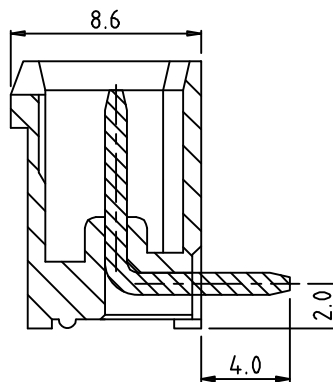


N=Number of contacts



PITCH	A	5.0mm
-------	---	-------

TERK-DXXX-C

Series No.

Number of Contact
02 to 24 Contacts

Base Color

B	Black
G	Green

REV.	DESCRIPTION	DATE
A	New Drawing	2016/11/22
B	修正外形尺寸	2021/01/25

Technical Data:

Material:

Solder Pin: Copper Alloy, Tin plated
Insulator body(housing): Polyamide
(Glass filled)(UL94V-0)

Electrical

Voltage rating: 300VAC

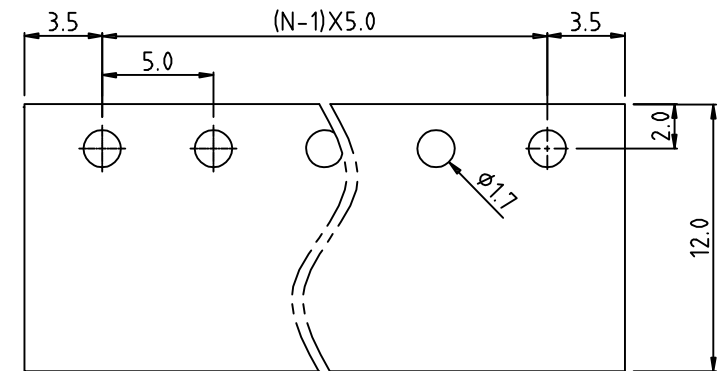
Current rating: 16A

Withstanding Voltage: AC 2500V(1min)

Mechanical:

Using temperature Range: -40°C to +105°C

Soldering temperature:+250°C,5seconds Max.



P.C.B. LAYOUT

RoHS compliant

竣豪電子股份有限公司
Superior Tech Co., Ltd.

General Tolerance

X.	± 0.5
.X	± 0.3
.XX	± 0.2
.XXX	± 0.1
角度	± 5°

TITLE

Terminal Block PH5.0 Right Angle

DRAWN

Tom

DATE

2021/01/25

NO.

T149

CHECK

DATE

PART NO.

TERK-DXXX-C

APPROVED

DATE

CUSTOMER NO.

REV.

B

UNIT

mm

SCALE

1:1

