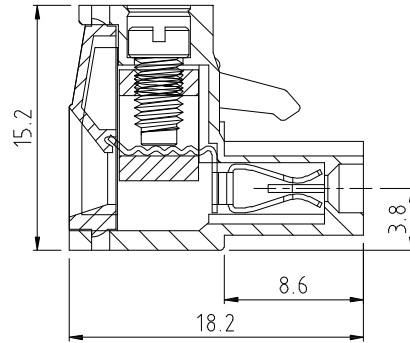


N=Number of contacts



REV.	DESCRIPTION	DATE
A	New Drawing	2016/11/21
B	增加公差标注	2018/09/06
C	修正外形尺寸	2021/01/25

Technical Data:

Material:

Contact(metal housing): Copper Alloy with Ni plated

Terminal screw: Steel galvanized with Cr3+ plated

Wire guard: Copper Alloy, Tin plated.

Insulator body(housing): Polyamide(UL94V-0)

Electrical

Voltage rating: 300VAC

Current rating: 16 Amps/way max

Contact resistance: 20mΩ(max)

Withstanding Voltage: 2500VAC(1min) Test time=60sec/1pcs

Wire range: 12-26AWG

Mechanical:

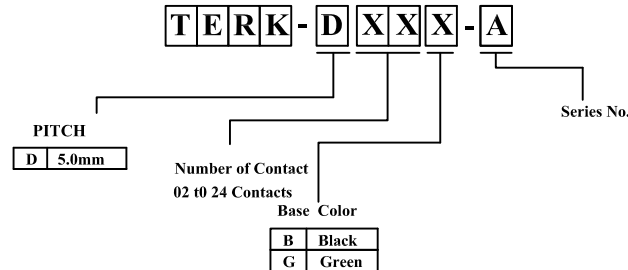
Torque: 5.0kgf.cm/M3

Operating temperature: -40°C to +105°C

Soldering reliability:

Test temperature= 250°C±10°C

5 seconds max



RoHS Compliant

竣豪電子股份有限公司
Superior Tech Co., Ltd.

General Tolerance

X. ± 0.5

.X ± 0.3

.XX ± 0.2

.XXX ± 0.1

角度

± 5°

TITLE

DRAWN

CHECK

APPROVED

PH5.0

Tom

Terminal Block

DATE

DATE

DATE

90 D

NO.

PART NO.

CUSTOMER NO.

SHEET
C

UNIT
mm

SCALE
N/A

