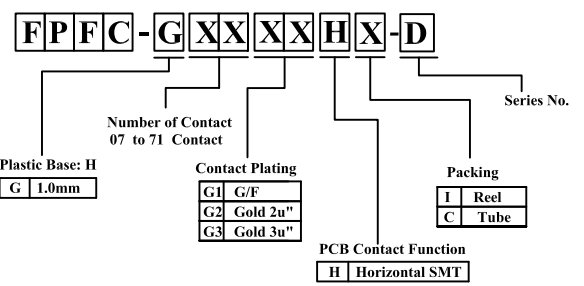
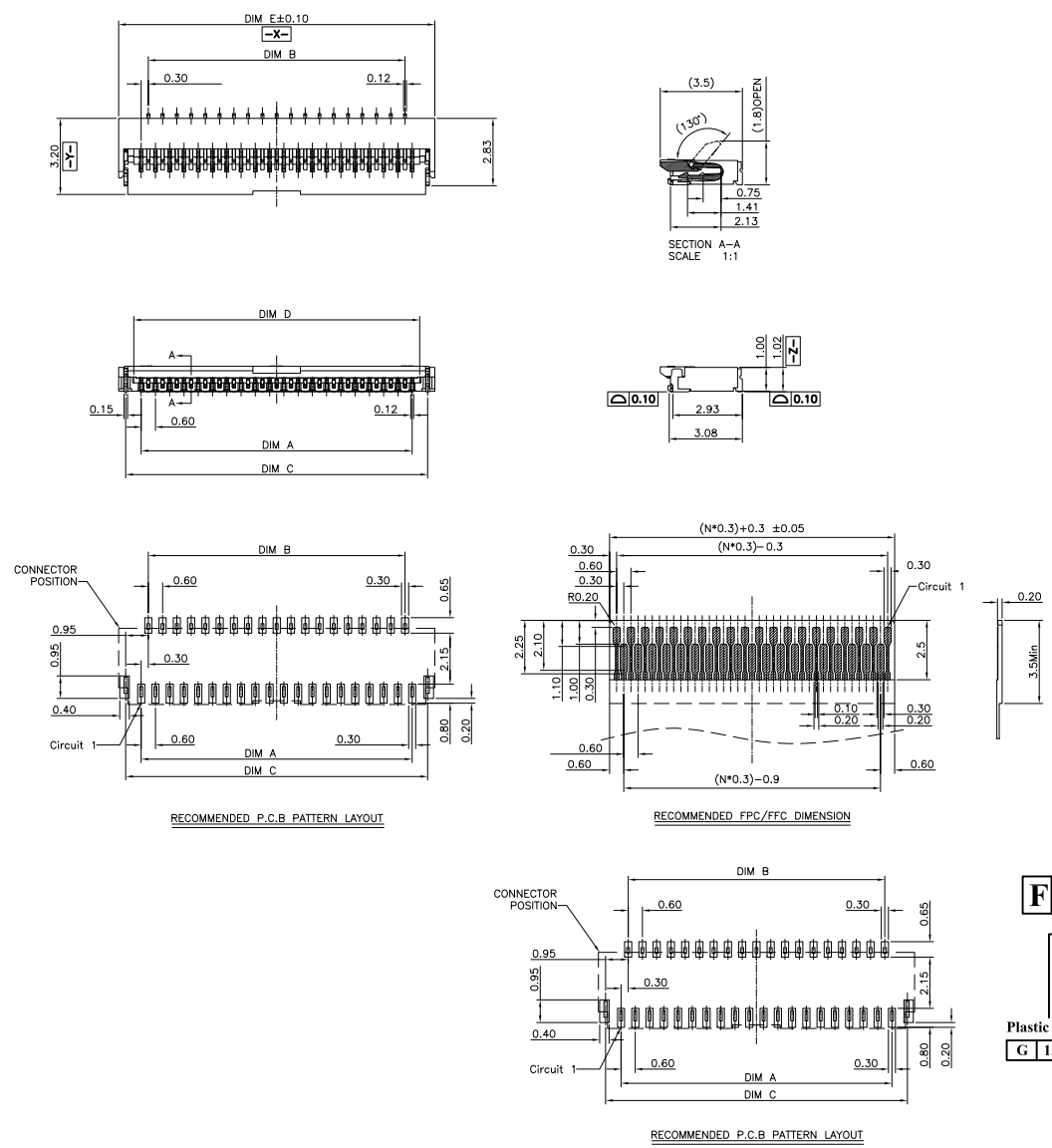


REV.	DESCRIPTION	DATE
A	New Drawing	2014/06/10
B	更新圖面	2019/12/3

Note:
1. Material:
1.1 Housing: thermoplastic high temp.UL94V-0;
1.2 Latch: thermoplastic high temp.UL94V-0;
1.3 Terminal: copper alloy.
1.4 Fitting Nail: copper alloy.
2. Finish:
2.1 Terminal:
Underplating: Gold flash overall.
2.2 Fitting Nail:
Underplating: matt Tin overall.
3. Product must comply HF RoHS specification.

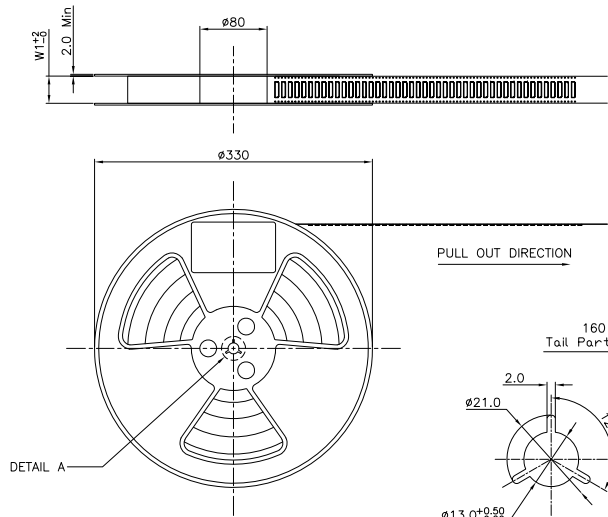
Number of Contacts	Dimension				
	A	B	C	D	E
7	1.80	1.20	3.10	2.43	3.70
13	3.60	3.00	4.90	4.23	5.50
15	4.20	3.60	5.50	4.83	6.10
17	4.80	4.20	6.10	5.43	6.70
19	5.40	4.80	6.70	6.03	7.30
21	6.00	5.40	7.30	6.63	7.90
23	6.60	6.00	7.90	7.23	8.50
25	7.20	6.60	8.50	7.83	9.10
27	7.80	7.20	9.10	8.43	9.70
29	8.40	7.80	9.70	9.03	10.30
31	9.00	8.40	10.30	9.63	10.90
33	9.60	9.00	10.90	10.23	11.50
35	10.20	9.60	11.50	10.83	12.10
37	10.80	10.20	12.10	11.43	12.70
39	11.40	10.80	12.70	12.03	13.30
41	12.00	11.40	13.30	12.63	13.90
43	12.60	12.00	13.90	13.23	14.50
45	13.20	12.60	14.50	13.83	15.10
47	13.80	13.20	15.10	14.43	15.70
49	14.40	13.80	15.70	15.03	16.30
51	15.00	14.40	16.30	15.63	16.90
53	15.60	15.00	16.90	16.23	17.50
55	16.20	15.60	17.50	16.83	18.10
57	16.80	16.20	18.10	17.43	18.70
59	17.40	16.80	18.70	18.03	19.30
61	18.00	17.40	19.30	18.63	19.90
63	18.60	18.00	19.90	19.23	20.50
65	19.20	18.60	20.50	19.83	21.10
67	19.80	19.20	21.10	20.43	21.70
69	20.40	19.80	21.70	21.03	22.30
71	21.00	20.40	22.30	21.63	22.90



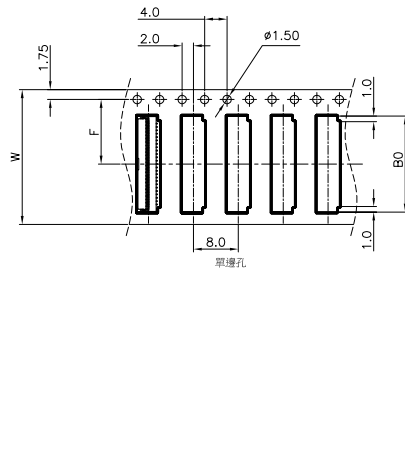
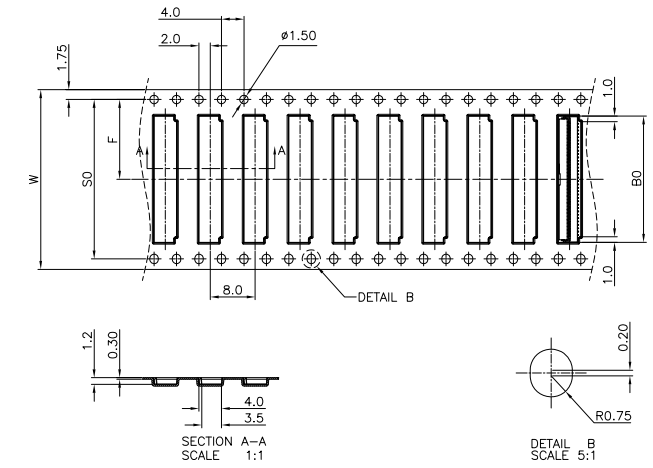
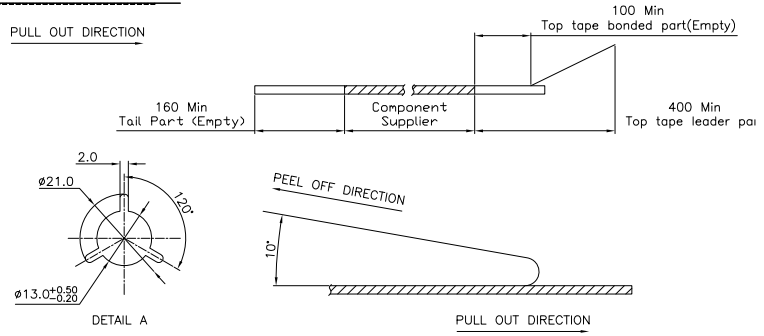
RoHS compliant

竣豪電子股份有限公司 Superior Tech Co., Ltd.			General Tolerance		TITLE 0.3Pitch H=1.0 FPC Easy-on R/A Typel SMT		
			X. ± 0.5		DRAWN Annie	DATE 12-3-19'	NO. T168
REV. B		UNIT mm	.X ± 0.3		CHECK Annie	DATE 12-3-19'	PART NO. FPFC-GXXXXHX-D
			.XX ± 0.2		APPROVED Tom	DATE 12-3-19'	CUSTOMER NO. 1/2
		SCALE 1:1	.XXX ± 0.1				
			角度	$\pm 5^\circ$			

REV.	DESCRIPTION	DATE
A	New Drawing	2014/06/10
B	更新圖面	2019/12/3



- NOTES:
1. 10 SPROCKET HOLE PITCH CUMULATIVE TOLERANCE.±0.20mm
 2. CARRIER CAMBER NOT TO EXCEED 1mm IN 250mm.
 3. ALL DIMENSIONS MEET EIA-481-C REQUIREMENTS.
 4. MATERIAL: BLACK ANTI-STATIC POLYSTYRENE.
 5. THICKNESS: 0.30 ± 0.05 mm.
 6. PACKING LENGTH PER 13" REEL : 40.40METERS.
 7. COMPONENT LOAD PER 13" REEL : 5000PCS.
 8. PEELING OFF FORCE OF TOP TAPE 0.1N~0.7N(10.2gf~71.4gf).



CKTS	B0±0.10	W	W1	F±0.10	S0±0.10
7	3.90	16+0.3/-0	16.4	7.5	單邊孔
9	4.50				
11	5.10				
13	5.70				
15	6.30				
17	6.90				
19	7.50				
21	8.10				
23	8.70				
25	9.30				
27	9.90	24+0.3/-0	24.4	11.5	
29	10.50				
31	11.10				
33	11.70				
35	12.30				
37	12.90				
39	13.50				
41	14.10				
43	14.70				
45	15.30				
47	15.90	32±0.3	32.4	14.2	28.4
49	16.50				
51	17.10				
53	17.70				
55	18.30				
57	18.90				
59	19.50				
61	20.10				
63	20.70				
65	21.30				
67	21.90	44±0.3	44.4	20.2	40.4
69	22.50				
71	23.10				

RoHS compliant

竣豪電子股份有限公司
Superior Tech Co., Ltd.

General Tolerance		TITLE		0.3Pitch H=1.0 FPC Easy-on R/A Typel SMT	
X. ± 0.5		DRAWN		DATE	NO.
.X ± 0.3		Annie		12-3-19'	T168
.XX ± 0.2		CHECK		DATE	PART NO.
.XXX ± 0.1		Annie		12-3-19'	FPFC-GXXXXHX-D
角度	± 5°	APPROVED		DATE	CUSTOMER NO.
		Tom		12-3-19'	2/2

REV.	UNIT	SCALE	
B	mm	1:1	