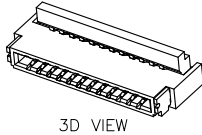
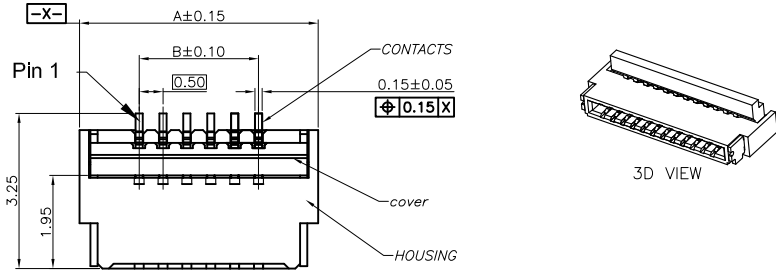
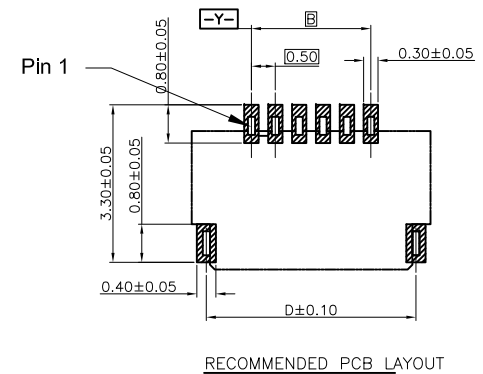
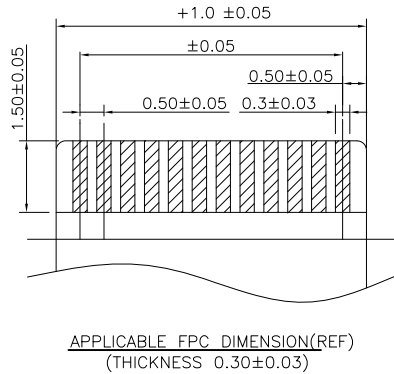
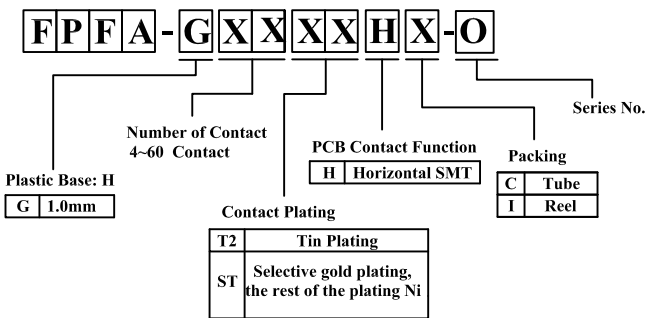
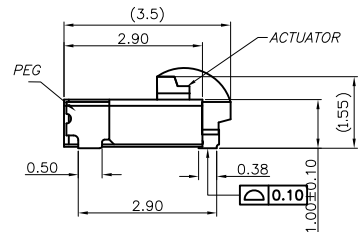
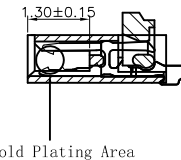
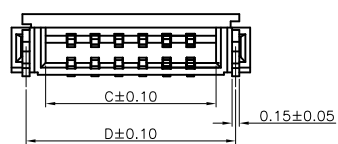


PIN	A	B	C	D	PIN	A	B	C	D
4	4.00	1.50	2.60	3.37	33	18.50	16.00	17.10	17.87
5	4.50	2.00	3.10	3.87	34	19.00	16.50	17.60	18.37
6	5.00	2.50	3.60	4.37	35	19.50	17.00	18.10	18.87
7	5.50	3.00	4.10	4.87	36	20.00	17.50	18.60	19.37
8	6.00	3.50	4.60	5.37	37	20.50	18.00	19.10	19.87
9	6.50	4.00	5.10	5.87	38	21.00	18.50	19.60	20.37
10	7.00	4.50	5.60	6.37	39	21.50	19.00	20.10	20.87
11	7.50	5.00	6.10	6.87	40	22.00	19.50	20.60	21.37
12	8.00	5.50	6.60	7.37	41	22.50	20.00	21.10	21.87
13	8.50	6.00	7.10	7.87	42	23.00	20.50	21.60	22.37
14	9.00	6.50	7.60	8.37	43	23.50	21.00	22.10	22.87
15	9.50	7.00	8.10	8.87	44	24.00	21.50	22.60	23.37
16	10.00	7.50	8.60	9.37	45	24.50	22.00	23.10	23.87
17	10.50	8.00	9.10	9.87	46	25.00	22.50	23.60	24.37
18	11.00	8.50	9.60	10.37	47	25.50	23.00	24.10	24.87
19	11.50	9.00	10.10	10.87	48	26.00	23.50	24.60	25.37
20	12.00	9.50	10.60	11.37	49	26.50	24.00	25.10	25.87
21	12.50	10.00	11.10	11.87	50	27.00	24.50	25.60	26.37
22	13.00	10.50	11.60	12.37	51	27.50	25.00	26.10	26.87
23	13.50	11.00	12.10	12.87	52	28.00	25.50	26.60	27.37
24	14.00	11.50	12.60	13.37	53	28.50	26.00	27.10	27.87
25	14.50	12.00	13.10	13.87	54	29.00	26.50	27.60	28.37
26	15.00	12.50	13.60	14.37	55	29.50	27.00	28.10	28.87
27	15.50	13.00	14.10	14.87	56	30.00	27.50	28.60	29.37
28	16.00	13.50	14.60	15.37	57	30.50	28.00	29.10	29.87
29	16.50	14.00	15.10	15.87	58	31.00	28.50	29.60	30.37
30	17.00	14.50	15.60	16.37	59	31.50	29.00	30.10	30.87
31	17.50	15.00	16.10	16.87	60	32.00	29.50	30.60	31.37
32	18.00	15.50	16.60	17.37					

REV.	DESCRIPTION	DATE
A	New Drawing	2019/08/28
B	增加電鍍選項	2023/02/22



- NOTES:
- MATERIAL:
HOUSING: HIGHT-TEMP PLASTIC,UL 94-V0,COLOR:WHITE;
COVER: HIGHT-TEMP PLASTIC,UL 94-V0,COLOR:BLACK;
CONTACT: Phosphor Bronze
LEG: Brass.
 - PLATING:
CONTACT: GOLD OR TIN PLATED ON NICKEL.
 - RATING:
CURRENT RATING: 0.4A AC/DC
VOLTAGE RATING: 50V AC/DC
TEMPERATURE RANGE: -55°C~+85°C;



RoHS compliant

竣豪電子股份有限公司
Superior Tech Co., Ltd.

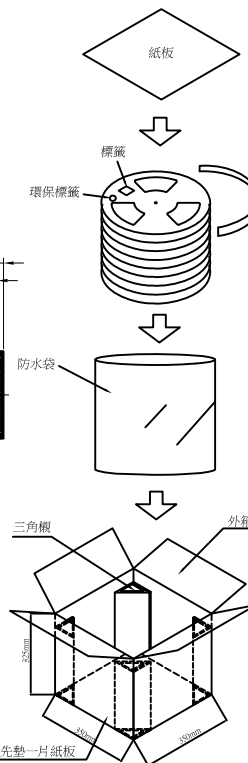
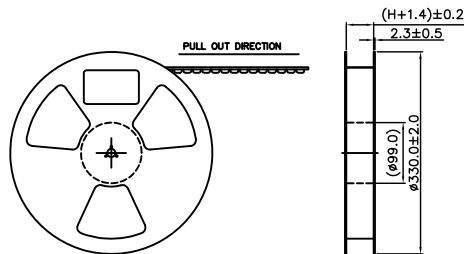
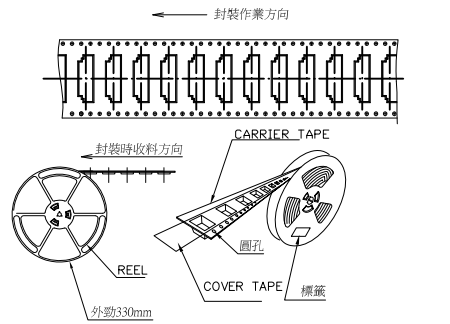
General Tolerance	TITLE	FPC PH0.5 CONNECTOR H1.0 ZIF FOR SMT(DUAL CONT)	
X. ± 0.5	DRAWN	DATE	NO.
.X ± 0.3	Jacky	02-22-23'	D081
.XX ± 0.2	CHECK	DATE	PART NO.
.XXX ± 0.1	Tom	02-22-23'	FPFA-GXXXXHX-O
角度 ± 5°	APPROVED	DATE	CUSTOMER NO.
	Tom	02-22-23'	1/2

REV.	UNIT	SCALE	
B	mm	1:1	

(Q2-R03-01A) ST-R05-07

PIN NO.	W	A	B	A0	B0	PCS/REEL (PCS)	REEL/ CARTON	SUM(PCS)
4PIN~7PIN	12	5.5	—	3.97+ (n-4)*0.5 (n=pin no)	4.75	4000	11	44000
8PIN~13PIN	16	7.5	—		4.75	4000	9	36000
14PIN~30PIN	24	11.5	—		4.75	4000	7	28000
31PIN~40PIN	32	14.2	28.4		4.75	4000	6	24000
41PIN~50PIN	44	20.2	40.4	—	4.75	4000	5	20000

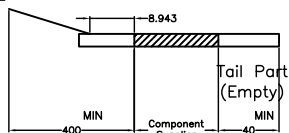
REV.	DESCRIPTION	DATE
A	New Drawing	2020/07/09



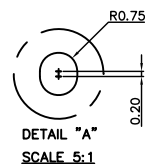
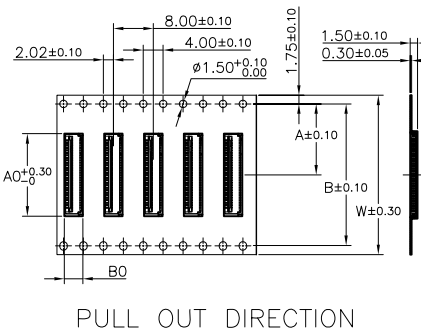
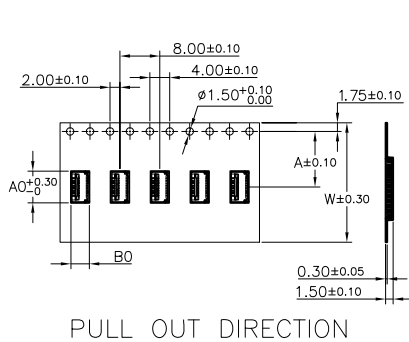
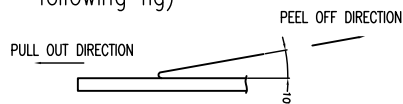
NOTES: 1.Material:
Carrier Tape: POLYPROPYLENE
Top Tape: PET,PE,PEF
Reel: PS

2.Lead Tape Length:

PULL OUT DIRECTION



3.Peeling off force of top tape:
0.1N~0.7N(10.2gf~71.4gf)
(Peeling direction as shown in following fig)



包裝材料清單

品名	用量
PE袋	1PCS
塑料薄膜	捲裝
乾燥劑	1PCS
紙箱	1PCS

RoHS compliant

竣豪電子股份有限公司
Superior Tech Co., Ltd.

General Tolerance TITLE FPC PH0.5 CONNECTOR H1.0 ZIF FOR SMT(DUAL CONT) 捲帶包裝圖

X. ± 0.5	DRAWN	DATE	NO.
.X ± 0.3	Annie	07-09-20'	D081
.XX ± 0.2	CHECK	DATE	PART NO.
.XXX ± 0.1	Annie	07-09-20'	FPFA-GXXXXHX-O
角度 ± 5°	APPROVED	DATE	CUSTOMER NO.
	Tom	07-09-20'	2/2

REV.	UNIT	SCALE
A	mm	1:1

