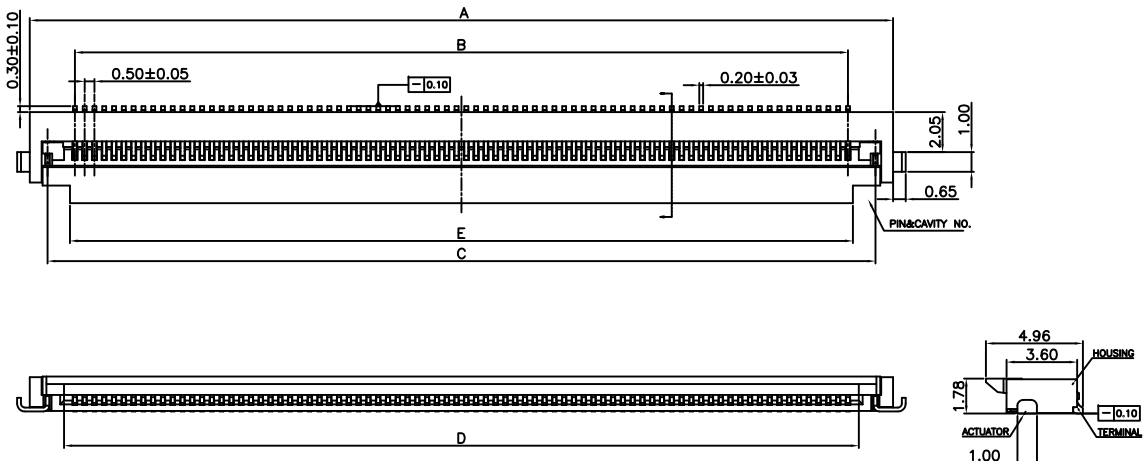
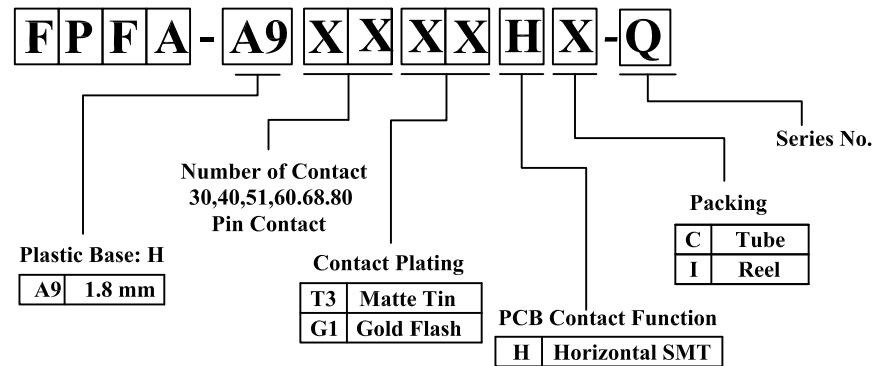
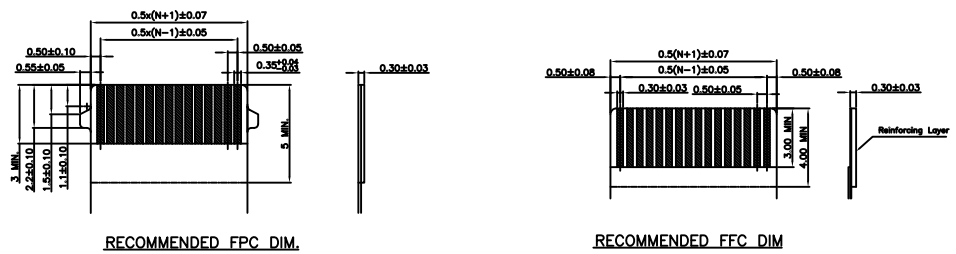
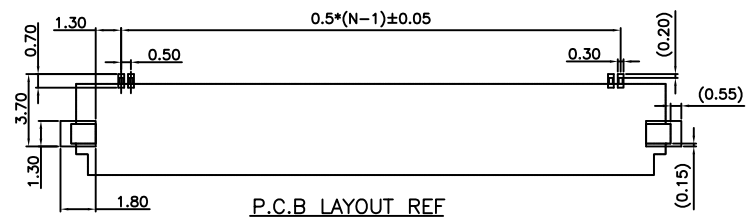


REV.	DESCRIPTION	DATE
A	New Drawing	2020/10/02
B	描述接觸方式	2021/08/27
C	改包裝方式取消Mylar	2021/10/13
D	圖面更新	2023/04/18



NOTES:
 1. MATERIAL:
 HOUSING:THERMOPLASTIC(UL94V-0)
 ACTUATOR:THERMOPLASTIC(UL94V-0)
 CONTACT: Phosphor Bronze
 LEG: Brass.
 2. PLATING:
 CONTACT: GOLD OR TIN PLATED ON NICKEL OVERALL.
 LEG: TIN PLATED ON NICKEL OVERALL.
 3. RATING:
 CURRENT RATING: 0.4A AC/DC
 VOLTAGE RATING: 50V AC/DC
 TEMPERATURE RANGE: -40°C~+105°C;

Dimension					
PIN数	A	B	C	D	E
30	19.1	14.50	17.3	15.60	15.0
40	24.1	19.50	22.3	20.60	20.0
51	29.6	25.00	27.8	26.10	25.5
60	34.1	29.50	32.3	30.60	30.0
68	38.1	33.50	36.3	34.60	34.0
80	44.1	39.50	42.3	40.60	40.0



RoHS compliant

竣豪電子股份有限公司
Superior Tech Co., Ltd.

General Tolerance X. ± 0.5 .X ± 0.3 .XX ± 0.2 .XXX ± 0.1 角度 ± 5°	TITLE		FPC PH0.5 CONNECTOR H1.80 ZIF FOR SMT(下接式)	
	DRAWN		DATE	NO.
	Jacky		04-18-23'	D081
	CHECK		DATE	PART NO.
	Tom		04-18-23'	FPFA-A9XXXXHX-Q
APPROVED		DATE	CUSTOMER NO.	
Tom		04-18-23'		

REV.	UNIT	SCALE	
D	mm	1:1	