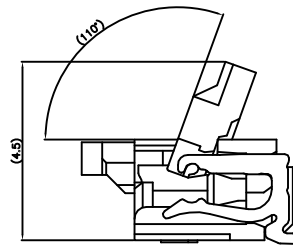
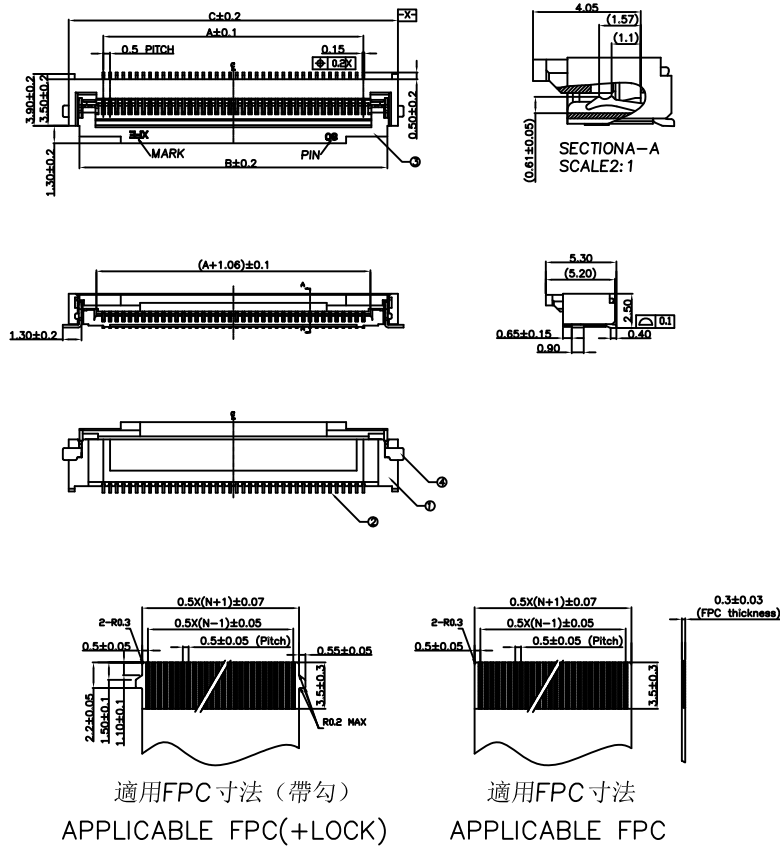


REV.	DESCRIPTION	DATE
A	New Drawing	2023/10/18



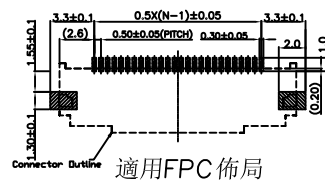
开合状态内部视图

NOTES:

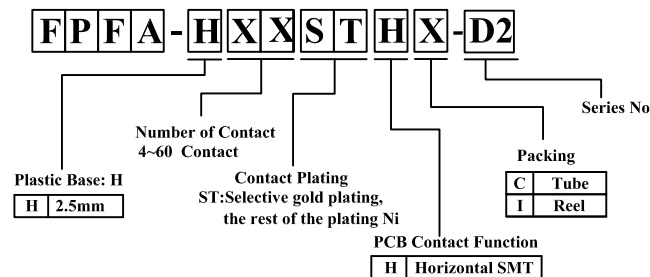
- MATERIAL SEE TABLE;
- PLATING SEE TABLE;
- RATING
- 3-1. OPERATING TEMPERATURE: -40~85°C
- 3-2. OPERATING VOLTAGE: 50V AC/DC
- 3-3. CURRENT RATING: 0.5 AMPS
- 3-4. DIELECTRIC WITHSTANDING VOLTAGE: 125V AC/Minute;
- 3-5. INSULATION RESISTANCE: 500MΩ Min;
- 3-6. CONTACT RESISTANCE: 0.035Ω Max;

序号	名称	材料	数量	附注
4	焊片 Fitting Nail	磷青铜 Phosphor Bronze	2	电镀(锡): 整个表面镀底镍30u"MIN,再镀锡 80u".MIN.
3	锁扣 Actuator	PA9T (UL94V-0)	1	黑色
2	端子 Contact	磷青铜 Phosphor Bronze	n×1	电镀: 整个表面镀底镍30u"MIN,再接触点与焊脚点镀金 1u"MIN.
1	基座 Housing	LCP (UL94V-0)	1	本色

CKT	Dim A	Dim B	Dim C
10	4.5	8.1	9.7
40	19.5	23.1	24.7
60	29.5	33.1	34.7
64	31.5	35.1	36.7
68	33.5	37.1	38.7
80	39.5	43.1	44.7



RECOMMENDED PCB LAYOUT



RoHS compliant

竣豪電子股份有限公司
Superior Tech Co., Ltd.

General Tolerance	TITLE	0.5 FPC CHNN. ZIF SMT FRONTFLIP H=2.5 DOUBLE LOWER CONTACT	
X. ± 0.5	DRAWN	DATE	NO.
.X ± 0.3	Tom	10-18-23'	S005
.XX ± 0.2	CHECK	DATE	PART NO.
.XXX ± 0.1	APPROVED	DATE	FPFA-HXXSTHX-D2
角度 ± 5°			CUSTOMER NO.

REV.	UNIT	SCALE	
A	mm	1:1	