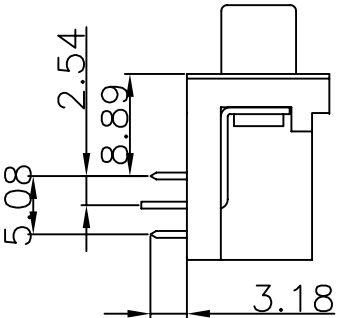
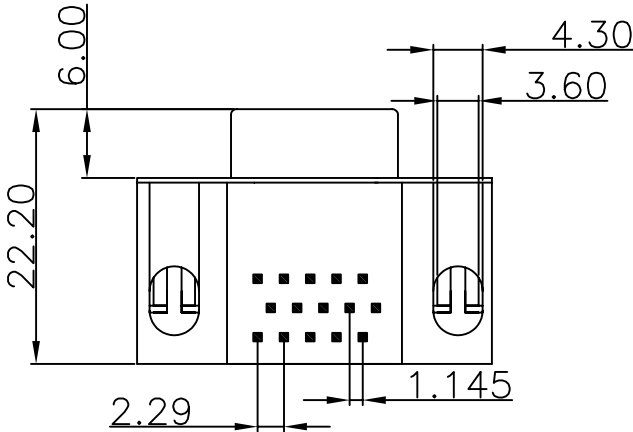
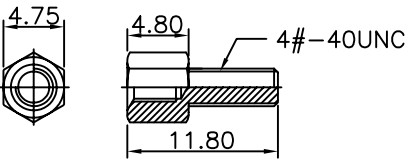
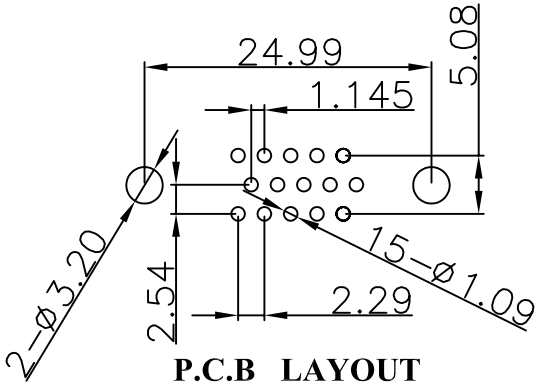
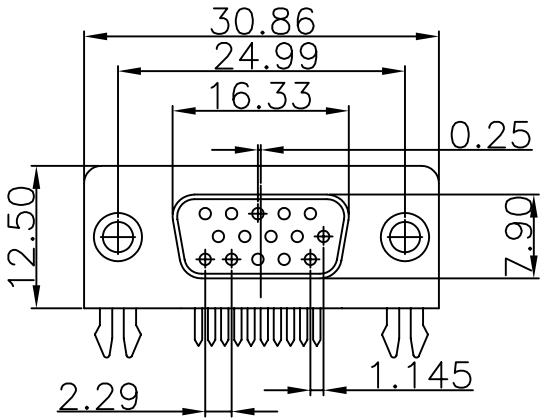


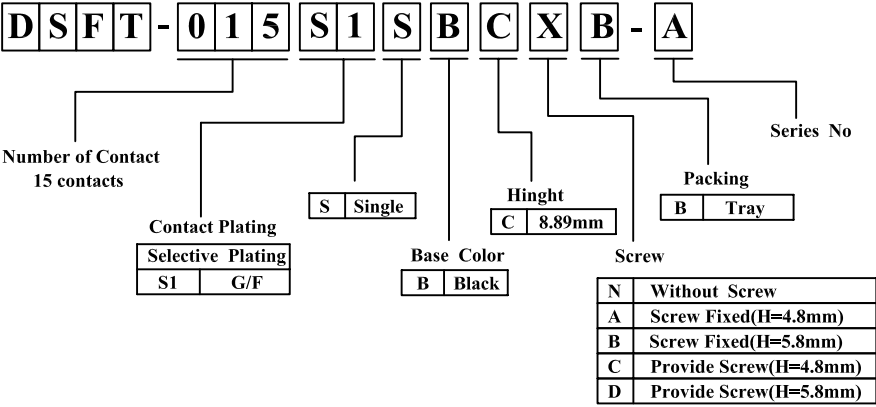
REV.	DESCRIPTION	DATE
A0	New Drawing	2006/9/20

SPECIFICATIONS

Insulator: PBT+30%Glass Fiber
Contact: Brass
Shell: Steel,Nickel plated
Current Rate: 5 Amps
Insulator Resistance: 5000MΩ Min. at 500V DC
Dielectric Strength: 1000V Per minute
Operation Temperature: -55 °C to+105 °C



SCREW



竣豪電子股份有限公司
Superior Tech Co., Ltd.

General Tolerance		TITLE		D-SUB 15Pins Female H8.89 High Density Right Angle	
X. ± 0.5		DRAWN		DATE	
.X ± 0.3		YangFeng		09-20-06'	
.XX ± 0.2		CHECK		DATE	
.XXX ± 0.1		MEI YU		09-20-06'	
角度 ± 5°		APPROVE		DATE	
		Jhen-fa		09-20-06'	
				DWG. NO.	
				DSF0007-01	
				PART NO.	
				DSFT-015S1SBCXB-A	
				CUSTOMET NO.	

REV.	UNIT	SCALE	
A0	mm	2:1	