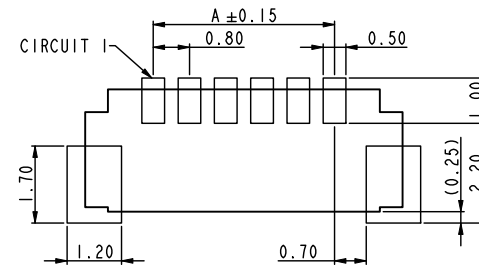
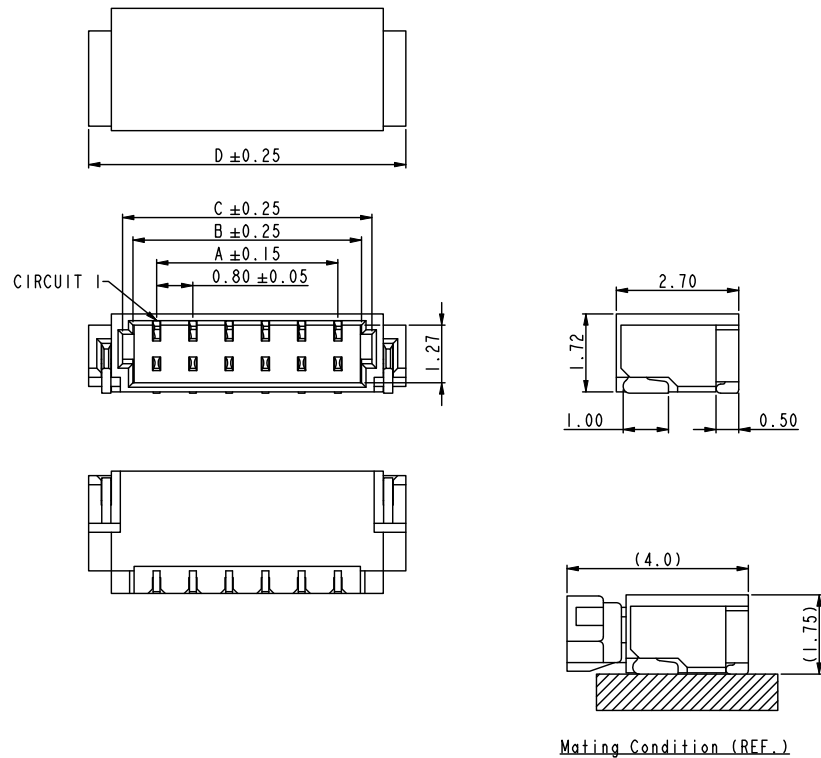
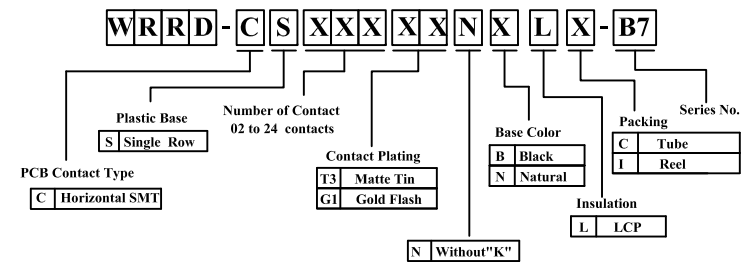


REV.	DESCRIPTION	DATE
A	New Drawing	2017/09/13
B	圖面更新	2022/09/08



TOLERANCE: ±0.05
RECOMMENDED P.C.B. Layout
TOP VIEW

PIN	A	B	C	D	PIN	A	B	C	D
02	0.80	1.84	2.30	3.80	11	8.00	9.04	9.50	11.00
03	1.60	2.64	3.10	4.60	12	8.80	9.84	10.30	11.80
04	2.40	3.44	3.90	5.40	14	10.40	11.44	11.90	13.40
05	3.20	4.24	4.70	6.20	15	11.20	12.24	12.70	14.20
06	4.00	5.04	5.50	7.00	16	12.00	13.04	13.50	15.00
07	4.80	5.84	6.30	7.80	17	12.80	13.84	14.30	15.80
08	5.60	6.64	7.10	8.60	20	15.20	16.24	16.70	18.20
09	6.40	7.44	7.90	9.40	22	16.80	17.84	18.30	19.80
10	7.20	8.24	8.70	10.20	24	18.40	19.44	19.90	21.40



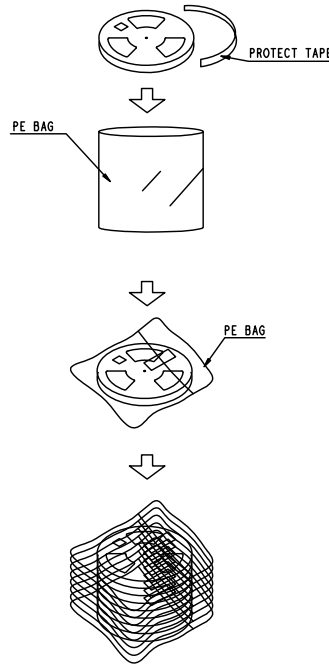
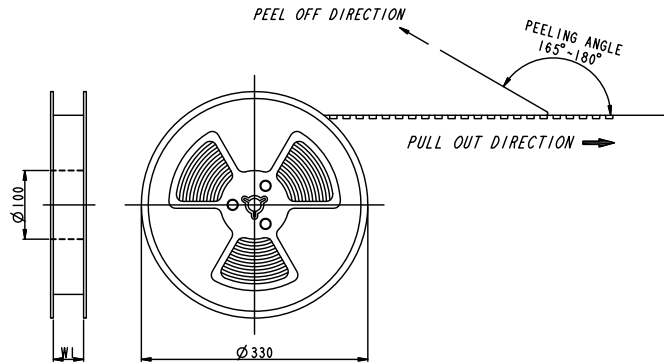
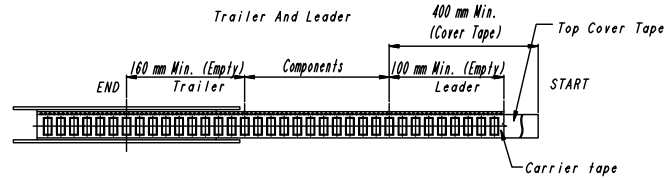
RoHS compliant

1	CONTACT	COPPER ALLOY; ±0.15mm	(1) TIN PLATED OVER NICKEL (2) GOLD FLASH PLATED ON CONTACT AREA, OVER NICKEL
2	INSULATION	(HF) LCP, UL94V-0; COLOR: CREAM/BLACK	
3	SOLDER TAB	COPPER ALLOY; ±0.20mm	MATTE TIN PLATED OVER NICKEL
INDEX	PART NAME	MATERIAL	FINISH

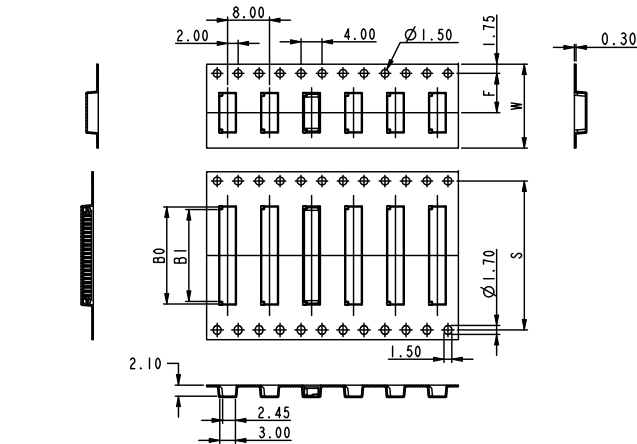
竣豪電子股份有限公司 Superior Tech Co., Ltd.			General Tolerance		TITLE		PH0.8mm Wafer				
			X. ± 0.5		DRAWN		DATE		NO.		
REV. B		UNIT mm		SCALE 1:1		Jacky		09-08-22'		T057	
				.XX ± 0.2		CHECK		DATE		PART NO.	
				.XXX ± 0.1		Tom		09-08-22'		WRRD-CSXXXXXXNXLX-B7	
				角度 ± 5°		APPROVED		DATE		CUSTOMER NO.	
						Tom		09-08-22'			

(Q2-R03-01A) ST-R05-07

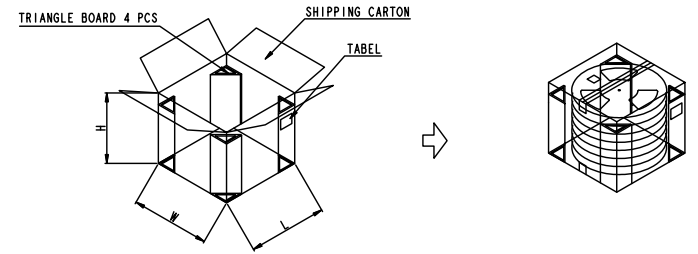
REV.	DESCRIPTION	DATE
A	New Drawing	2022/09/08



PIN, Q'TY/RE	REEL DIM.(mm)	PIN, RE/BC, PCS/BC	CARTON DIM.(mm)
02-24, 3,500 PCS/RE	Ø 330*(W+0.5)	02-09, 14 RE, 49,000 PCS/BC 10-17, 10 RE, 35,000 PCS/BC 20-24, 8 RE, 28,000 PCS/BC	350*350*340



PIN	B0	B1	F	S	W	WI	PIN	B0	B1	F	S	W	WI
02	4.10	3.10	7.50	--	16.00	16.50	11	11.30	10.30	11.50	--	24.00	24.50
03	4.90	3.90	7.50	--	16.00	16.50	12	12.10	11.10	11.50	--	24.00	24.50
04	5.70	4.70	7.50	--	16.00	16.50	14	13.70	12.70	11.50	--	24.00	24.50
05	6.50	5.50	7.50	--	16.00	16.50	15	14.50	13.50	11.50	--	24.00	24.50
06	7.30	6.30	7.50	--	16.00	16.50	16	15.30	14.30	11.50	--	24.00	24.50
07	8.10	7.10	7.50	--	16.00	16.50	17	16.10	15.10	11.50	--	24.00	24.50
08	8.90	7.90	7.50	--	16.00	16.50	20	18.50	17.50	14.20	28.40	32.00	32.50
09	9.70	8.70	7.50	--	16.00	16.50	22	20.10	19.10	14.20	28.40	32.00	32.50
10	10.50	9.50	11.50	--	24.00	24.50	24	21.70	20.70	14.20	28.40	32.00	32.50



RoHS compliant

竣豪電子股份有限公司
Superior Tech Co., Ltd.

General Tolerance		TITLE	WRRD-CSXXXXXXNXLX-B7 卷裝包裝圖	
X. ± 0.5		DRAWN	DATE	NO.
.X ± 0.3		Jacky	09-08-22'	T057
.XX ± 0.2		CHECK	DATE	PART NO.
.XXX ± 0.1		Tom	09-08-22'	WRRD-CSXXXXXXNXLX-B7
角度	± 5°	APPROVED	DATE	CUSTOMER NO.
		Tom	09-08-22'	

REV.	UNIT	SCALE	
A	mm	1:1	

(Q2-R03-01A) ST-R05-07