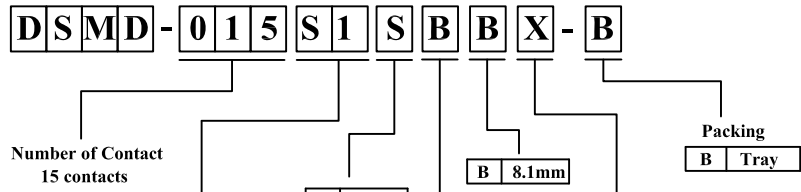
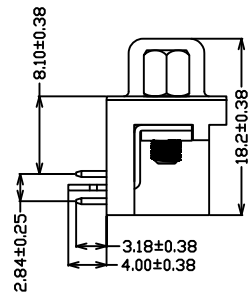
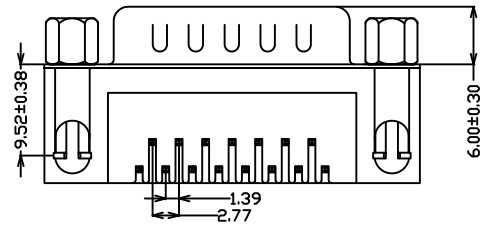
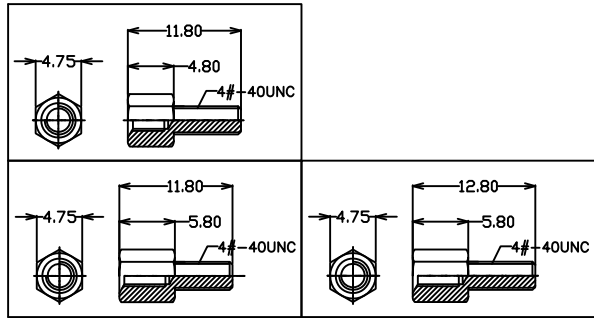
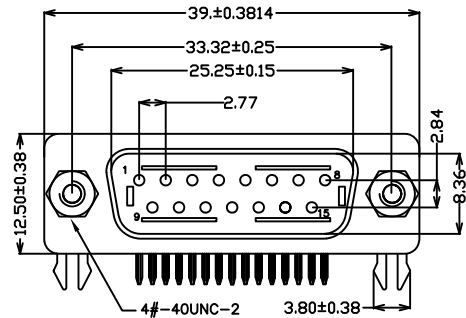
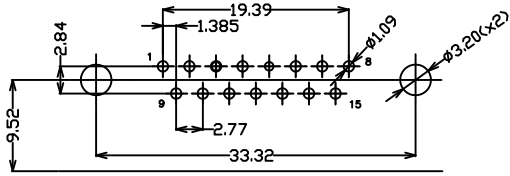


REV.	DESCRIPTION	DATE
A	New Drawing	2006/09/07
B	圖面更新	2023/06/15



N	Without Screw
A	Provide Screw(H=4.8mm)
B	Provide Screw(H=5.8mm,L=11.8)
C	Screw Fixed(H=4.8mm)
D	Screw Fixed(H=5.8mm,L=11.8)
E	Screw Fixed(H=5.8mm,L=12.8)
F	Provide Screw(H=5.8mm,L=12.8)
G	Screw Fixed 4.8mm Without Rivet

NOTES:
 1.MATERIAL
 1.1 INSULATOR:PBT+30%GF BLACK
 1.2 CONTACT:BRASS
 1.3 CONTACT PLATING:GOLD/TIN PLATED
 1.4 SHELL:SPCC, NICKEL PLATED
 1.5 SCREW:BRASS,NICKEL PLATED
 2.SPECIFICATION
 2.1 CURRENT RATE:5AMPS
 2.2 INSULATOR RESISTANCE:1000MΩ MIN,AT 500V DC
 2.3 DIELECTRIC STRENGTH:1000V PER MINUTE
 2.4 OPERATION TEMPERATURE:-55°C TO +105°C



P.C.B LAYOUT

竣豪電子股份有限公司
Superior Tech Co., Ltd.

General Tolerance		TITLE		D-SUB 15PIN Male H8.1 Right Angle	
X. ± 0.5		DRAWN	DATE	NO.	
.X ± 0.3		Jacky	06-15-23'	T023	
.XX ± 0.2		CHECK	DATE	PART NO.	
.XXX ± 0.1		Tom	06-15-23'	DSMD-015S1SBBX-B	
角度 ± 5°		APPROVED	DATE	CUSTOMER NO.	
		Tom	06-15-23'		

REV.	UNIT	SCALE	
B	mm	1:1	