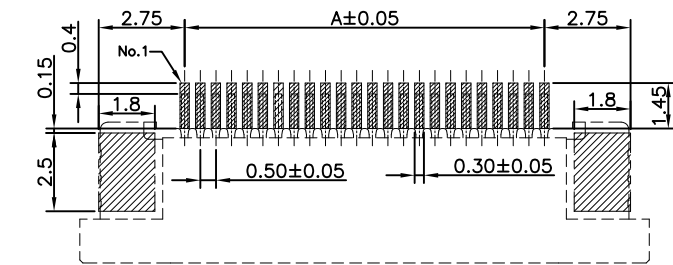
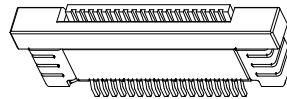
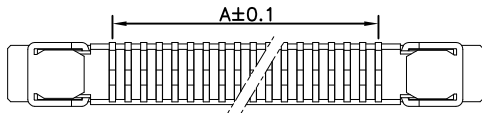
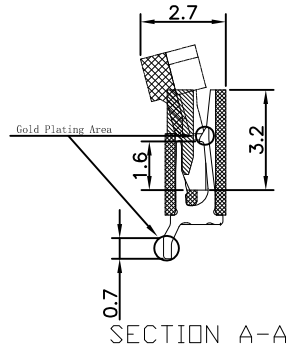
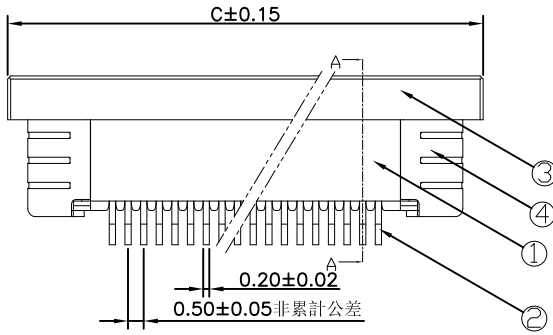


Pin位	A	B	C	Pin位	A	B	C
4	1.5	2.56	8.2	32	15.5	16.56	22.2
5	2	3.06	8.7	33	16.0	17.06	22.7
6	2.5	3.56	9.2	34	16.5	17.56	23.2
7	3	4.06	9.7	35	17.0	18.06	23.7
8	3.5	4.56	10.2	36	17.5	18.56	24.2
9	4	5.06	10.7	37	18.0	19.06	24.7
10	4.5	5.56	11.2	38	18.5	19.56	25.2
11	5	6.06	11.7	39	19.0	20.06	25.7
12	5.5	6.56	12.2	40	19.5	20.56	26.2
13	6	7.06	12.7	41	20.0	21.06	26.7
14	6.5	7.56	13.2	42	20.5	21.56	27.2
15	7	8.06	13.7	43	21.0	22.06	27.7
16	7.5	8.56	14.2	44	21.5	22.56	28.2
17	8	9.06	14.7	45	22.0	23.06	28.7
18	8.5	9.56	15.2	46	22.5	23.56	29.2
19	9	10.06	15.7	47	23.0	24.06	29.7
20	9.5	10.56	16.2	48	23.5	24.56	30.2
21	10	11.06	16.7	49	24.0	25.06	30.7
22	10.5	11.56	17.2	50	24.5	25.56	31.2
23	11	12.06	17.7	51	25.0	26.06	31.7
24	11.5	12.56	18.2	52	25.5	26.56	32.2
25	12	13.06	18.7	53	26.0	27.06	32.7
26	12.5	13.56	19.2	54	26.5	27.56	33.2
27	13	14.06	19.7	55	27.0	28.06	33.7
28	13.5	14.56	20.2	56	27.5	28.56	34.2
29	14	15.06	20.7	57	28.0	29.06	34.7
30	14.5	15.56	21.2	58	28.5	29.56	35.2
31	15	16.06	21.7	59	29.0	30.06	35.7
60	29.5	30.56	36.2				



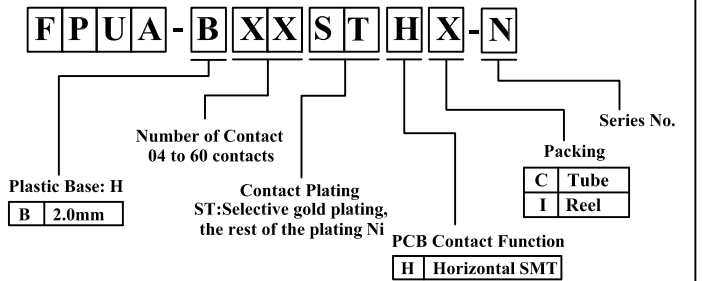
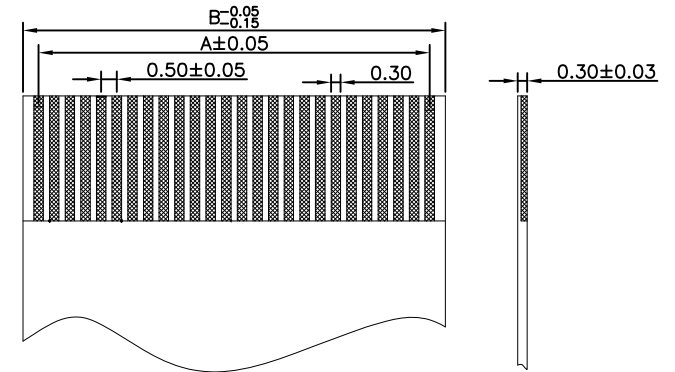
RECOMMENDED PCB LAYOUT

技術指標:

1. 塑膠件表面光潔、無毛刺、明顯收縮、缺陷、裂紋等現象。
2. 溫度範圍: -25° C~+85° C.
3. 額定電壓: 50V, AC, DC(等效)
4. 接觸電阻: ≦ 0.03Ω
5. 絕緣電阻: ≧ 500MΩ
6. 耐電壓: 500V, AC/minute

REV.	DESCRIPTION	DATE
A	New Drawing	2014/12/12
B	增加Pin數	2021/11/25
C	修改電鍍選項	2022/05/17

序號	名稱	材料	數量	附注
4	焊片 Fitting Nail	磷青銅 Phosphor Bronze	2	電鍍(鍍): 整個表面鍍底線30u"MIN,再鍍層 80u"MIN.
3	鐵扣 Actuator	LCPI(UL94V-0)	1	黑色
2	端子 Contact	磷青銅 Phosphor Bronze	nx1	電鍍(金)整個面鍍Ni30u"Min.在接觸點及焊腳點鍍金1u"Min.
1	基板 Housing	LCPI(UL94V-0)	1	棕色



RoHS compliant

竣豪電子股份有限公司  
Superior Tech Co., Ltd.

General Tolerance	TITLE	FPC P0.5 臥貼上接式 H2.0 SMT	
X. ± 0.5	DRAWN	DATE	NO.
.X ± 0.3	Jacky	05-17-22'	S005
.XX ± 0.2	CHECK	DATE	PART NO.
.XXX ± 0.1	Tom	05-17-22'	FPUA-BXXSTHX-N
角度 ± 5°	APPROVED	DATE	CUSTOMER NO.
	Tom	05-17-22'	

REV.	UNIT	SCALE	
C	mm	1:1	