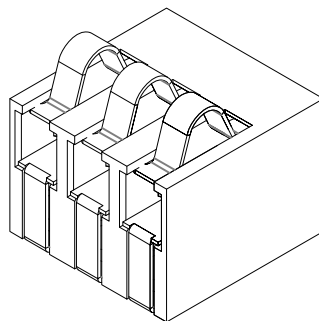
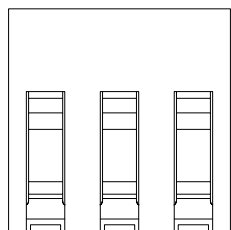
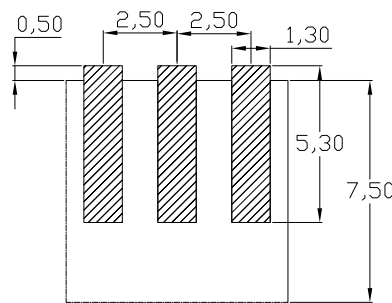
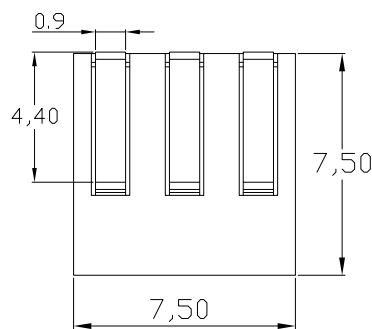
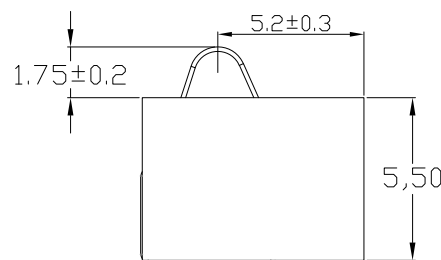
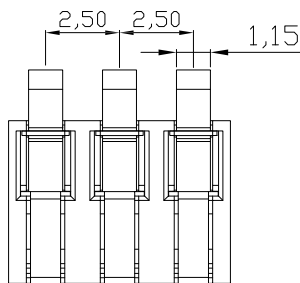


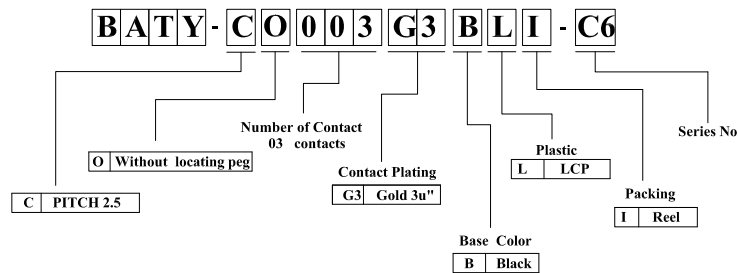
REV.	DESCRIPTION	DATE
A	New Drawing	2023/10/03



SPEC:
 額定電流:2.0A
 額定電壓:12V
 耐電壓 :500V
 接觸電阻:30mΩ
 絕緣電阻:500MΩ
 工作溫度-40°C~+85°C
 塑膠:LCP
 端子:磷銅,鍍金



Recommended P.C.B. Layout
 Layout Tolerance = ± 0.05mm



竣豪電子股份有限公司
Superior Tech Co., Ltd.

General Tolerance		TITLE	Battery PH2.5 彈片式 SMT H5.5mm	
X. ± 0.5		DRAWN	DATE	NO.
.X ± 0.3		Jacky	10-03-23'	T271
.XX ± 0.2		CHECK	DATE	PART NO.
.XXX ± 0.1		Tom	10-03-23'	BATY-CO003G3B LI-C6
角度 ± 5°		APPROVED	DATE	CUSTOMER NO.
		Tom	10-03-23'	

REV.	UNIT	SCALE	
A	mm	1:1	