

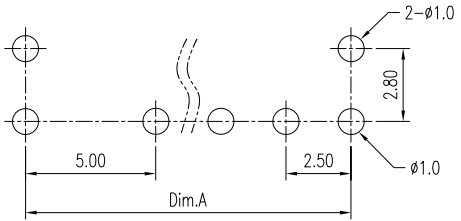
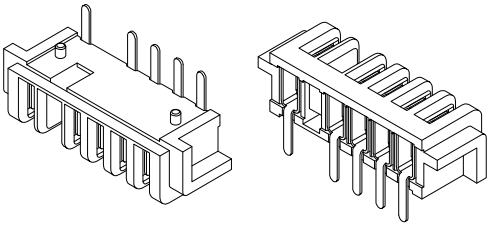
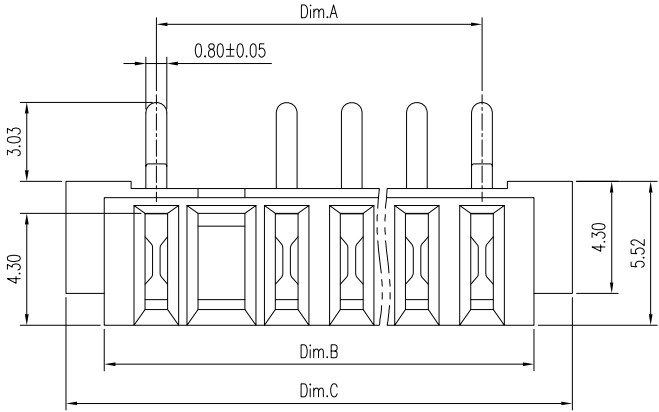
REV.	DESCRIPTION	DATE
A	New Drawing	2023/09/26

Dimension Information:

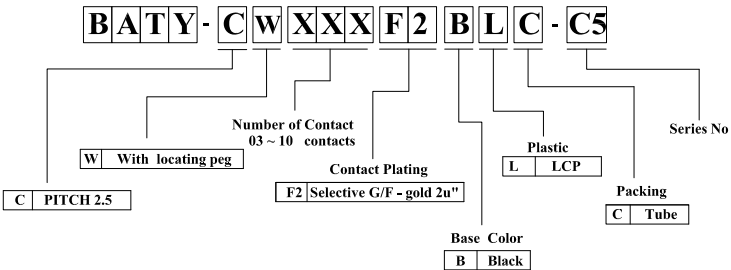
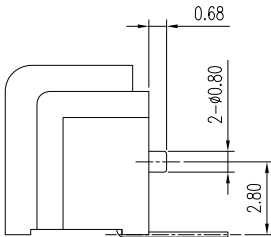
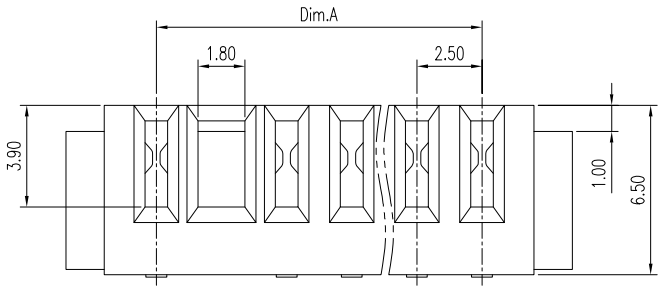
Amount of Pins	Dim.A	Dim.B	Dim.C
3	7.50	11.50	14.45
4	10.00	14.00	16.95
5	12.50	16.50	19.45
6	15.00	19.00	21.95
7	17.50	21.50	24.45
8	20.00	24.00	26.95
9	22.50	26.50	29.45
10	25.00	29.00	31.95

Notes:

- Material:  
Housing: Thermoplastic UL 94V-0, Black  
Terminal: Copper Alloy, t = 0.20mm  
Kapton: Polyimide UL 94V-0, t = 0.175mm
- Finish:  
Terminal: Selected Gold on Contact Area,  
Gold Flash on Solder Tails, Both over Nickel Under-plated Overall



Recommended P.C.B. Layout  
Layout Tolerance = ± 0.05mm



竣豪電子股份有限公司  
**Superior Tech Co., Ltd.**

General Tolerance		TITLE	PITCH 2.5mm BATTERY Female CONNECTOR	
X. ± 0.5		DRAWN	DATE	NO.
.X ± 0.3		Jacky	09-26-23'	T091
.XX ± 0.2		CHECK	DATE	PART NO.
.XXX ± 0.1		Tom	09-26-23'	BATY-CWXXXF2BLC-C5
角度	± 5°	APPROVED	DATE	CUSTOMER NO.
		Tom	09-26-23'	

REV.	UNIT	SCALE	
A	mm	1:1	